

SOLIDOR

QUESTIONS?

Kouterstraat 11 b
8560 Wevelgem
Belgium

T +32 56 41 35 70
info@solidor.be

solidor.be/en

A SIMPLE AND MODULAR TERRACE SYSTEM THAT ADAPTS TO ANY SITUATION AND ENVIRONMENT

"Terrace pedestals are produced from recycled plastics to ensure minimal environmental impact and can be used in a fully circular way." – Henri Dejans, Managing Director SOLIDOR

Since 1978, SOLIDOR has been a pioneer in adjustable terrace pedestals and levelling systems. Our solutions make the installation of terraces, floors, wooden façades and ceilings simple, flexible and durable.

Circular approach: SOLIDOR terrace pedestals are manufactured from recycled plastics to ensure minimal environmental impact. Our production process is waste-free, and used pedestals can be reused or reprocessed in-house, ensuring a fully circular lifecycle. In addition, our aluminium profiles offer the lowest CO² footprint.

Extensive product range: SOLIDOR produces not only fixed and adjustable terrace pedestals, but also a levelling system: CRIX. We also offer the LINUP system for cladding wooden façades, ceilings and terraces without visible screws.

Tested and proven: Our (adjustable) terrace pedestals are a proven system that has been used since 1978 in a wide range of outdoor applications. Our systems undergo continuous testing and are stable, wind-resistant and water-permeable. All products are manufactured in-house and have been tested under the most extreme weather conditions. Thanks to the use of plastics, the adjustable pedestals provide excellent sound insulation, and they are also available in fire-resistant versions.



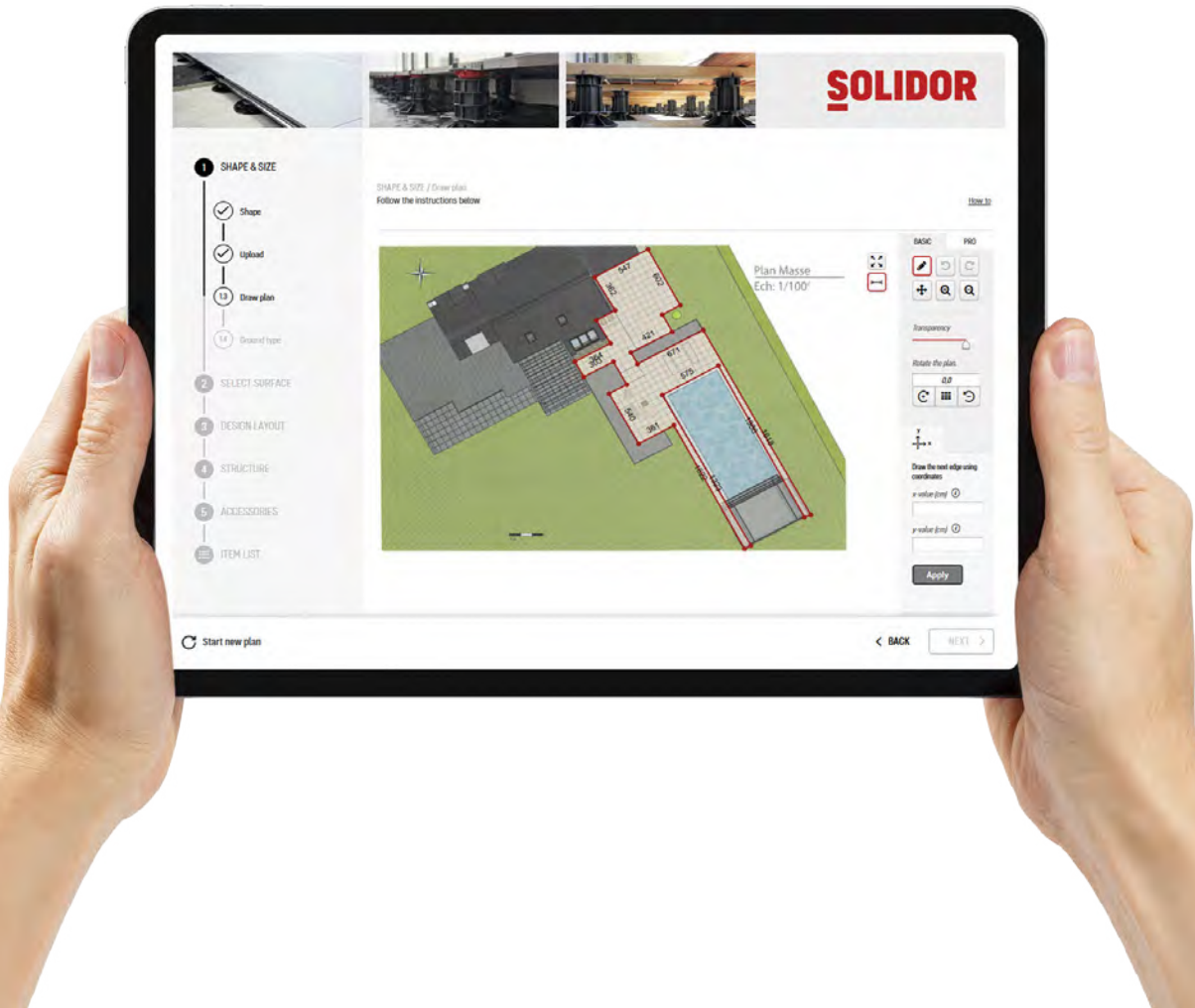
*son and father
Henri Dejans and Emmanuel Dejans*



DISCOVER OUR TERRACE PEDESTAL CALCULATOR

Our calculator instantly tells you how many terrace pedestals and accessories you need for your project.

Explore the app on calculator.solidor.be



THE PERFECT SOLUTION FOR EVERY TYPE OF TERRACE



TILE



WOOD



GRAVEL ROCK



GRASS MATS



FIXSOL

FIXED TERRACE PEDESTALS WITH A HEIGHT OF 10 MM AND 14 MM

P. 07



COMFORT

ADJUSTABLE PEDESTALS STARTING FROM 23 MM - 1 M

P. 11



LUMISOL

ILLUMINATED TOP PLATE

P. 27



FIRESOL

FLAME-RESISTANT PEDESTALS FROM 23 MM TO 220 MM

P. 33



STRUCTUSOL

ALUMINIUM SUBSTRUCTURE WITH NOISE-REDUCING RUBBER

P. 37



UNISOL

STRUCTURAL TILE

P. 49



DEQSOL

UNIVERSAL ALUMINIUM SUPPORT JOIST WITH VISIBLE SCREWS

P. 53



LINUP

ALUMINIUM SUPPORT BEAM WITH CLICK SYSTEM AND INVISIBLE FASTENING

P. 57



SIDESOL

ALUMINIUM EDGE PROFILE FOR TERRACES

P. 63



DRAINSOL

DRAINAGE PROFILES AND VENTILATION

P. 67



GRAVIERSOL

GRAVEL STABILISATION

P. 71



LIFTSOL

FOUNDATION SCREWS FOR WOODEN TERRACES

P. 73



CRIX

LEVELLING SYSTEM FOR INSTALLING TILES INDOORS AND OUTDOORS

P. 79



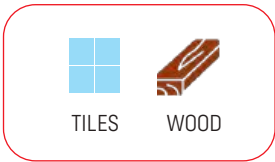
LINUP

SEAMLESS CLADDING FOR WOODEN WALLS, CEILINGS OR FACADES

P. 85

FIXSOL - FIXED PEDESTALS

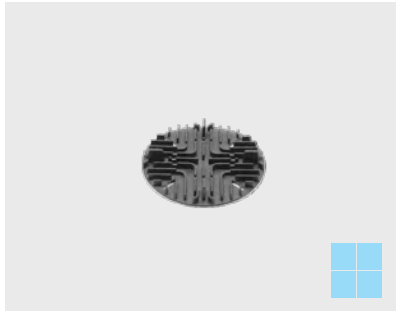




The fixed terrace pedestals are the starting point of the SOLIDOR range. These non-adjustable pedestals **are available in two heights (10 mm and 14 mm)** and are made from recycled rubber. Thanks to the integrated fastening hole, the top plate can be firmly anchored into the rubber. Depending on the chosen top plate, the fixed terrace pedestals **are suitable for both wooden and tiled terraces**. They offer a simple, durable and stable solution for any outdoor terrace.



FIXED PEDESTALS



DALSUP

ref. 001666

- Stackable

Height: 10 mm
0.39 inch

Joint width: 3 mm
1/8 inch

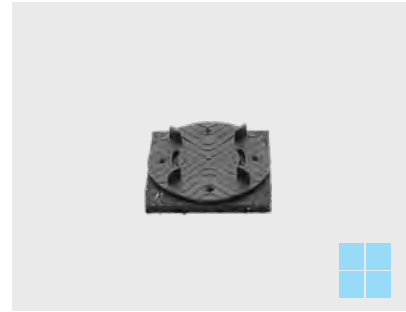


RC10 + CIO

ref. 003280

- Sound-dampening

Height: 10 mm
0.39 inch



RC10 + CI3/4T

ref. 003237

- Sound-dampening
- Removeable upstands

Height: 10 mm
0.39 inch

Joint width: 3 mm
1/8 inch

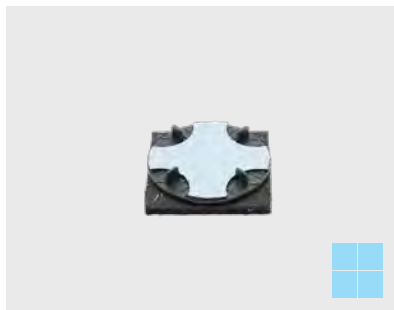


RC10 + CIP+

ref. 004122

- Sound-dampening
- Fixed pedestal specially designed for inserting the Structusol Comfort profile

Height: 10 mm
0.39 inch



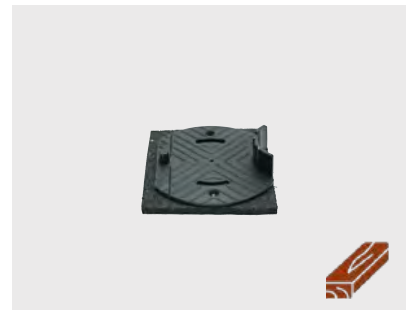
RC10 + STICKSOL

ref. 008770

- Sound-dampening
- With self-adhesive layer to prevent the tiles from rattling
- Removeable upstands

Height: 10 mm
0.39 inch

Joint width: 3 mm
1/8 inch

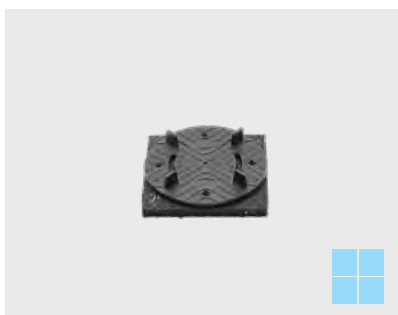
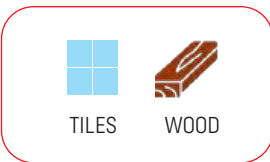


RC10 + CIPV+

ref. 009916

- Protective layer for roof cladding
- Supports aluminium and wooden beams
- Shock and sound absorbing

Height: 10 mm
0.39 inch



RC14 + CI3/4T

ref. 003238

- Sound-dampening
- Removeable upstands

Height: 14 mm
0.55 inch

Joint width: 3 mm
1/8 inch

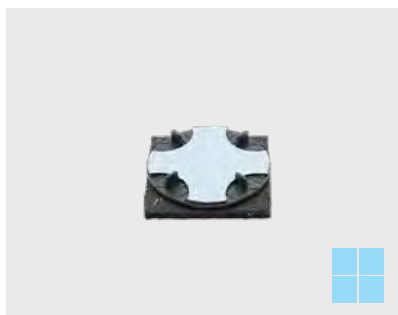


RC14 + CIP+

ref. 004572

- Sound-dampening
- Fixed pedestal specially designed for inserting the Structusol profile

Height: 14 mm
0.55 inch



RC14 + STICKSOL

ref. 009260

- Sound-dampening
- With self-adhesive layer to prevent the tiles from rattling
- Removeable upstands

Height: 14 mm
0.55 inch

Joint width: 3 mm
1/8 inch



RC14 + CIO

ref. 003281

- Sound-dampening

Height: 14 mm
0.55 inch



RC14 + CIPV+

ref. 009917

- Protective layer for roof cladding
- Supports aluminium and wooden beams
- Shock and sound absorbing

Height: 14 mm
0.55 inch

COMFORT TERRACE PEDESTALS





TILES



WOOD

A NEW STANDARD

The Comfort range offers the most versatile terrace pedestals for both tiles and wooden decking. These modular pedestals **are adjustable from 23 mm/0.91 inch up to an impressive 1 metre/ 39.37 inch in height**. Thanks to the dedicated components for both applications, this range combines maximum flexibility with a high-quality finish - ideal for projects where stability and aesthetics go hand in hand.



ALL COMFORT TERRACE PEDESTALS ALSO AVAILABLE IN:



IPV

For added damping, the terrace pedestals are provided with a rubber mat. This protective layer is sound and shock absorbing, insulating and provides extra grip.



GV

These terrace pedestals are glass-fibre reinforced and so have added bearing force making them perfectly suitable for heavy structures.



FR

These terrace pedestals are fire retardant and made of flame-retardant material, a property that is often required.

ADJUSTABLE TERRACE PEDESTALS

A pedestal ranging from 17-23 mm/0.67-0.91 inch is also available. More information upon request.



PV 2.3/3.5

ref. 011000

Range: 23 - 35 mm
0.91 - 1.38 inch



PV 3.5/5

ref. 008771

Range: 35 - 50 mm
1.38 - 1.97 inch



PV 5/8

ref. 008773

Range: 50 - 80 mm
1.97 - 3.15 inch



PV 8/11

ref. 008392

Range: 80 - 110 mm
3.15 - 4.33 inch



PV 11/14

ref. 008393

Range: 110 - 140 mm
4.33 - 5.51 inch



PV 14/17

ref. 008394

Range: 140 - 170 mm
5.51 - 6.69 inch

ADJUSTABLE TERRACE PEDESTALS WALL VERSION



AK 2.3/3.5

ref. 014064

- The AK pedestals allow to install the tiles perfectly stable against the wall

Range: 23 - 35 mm
0.91 - 1.38 inch



AK 3.5/5

ref. 008792

- The AK pedestals allow to install the tiles perfectly stable against the wall

Range: 35 - 50 mm
1.38 - 1.97 inch

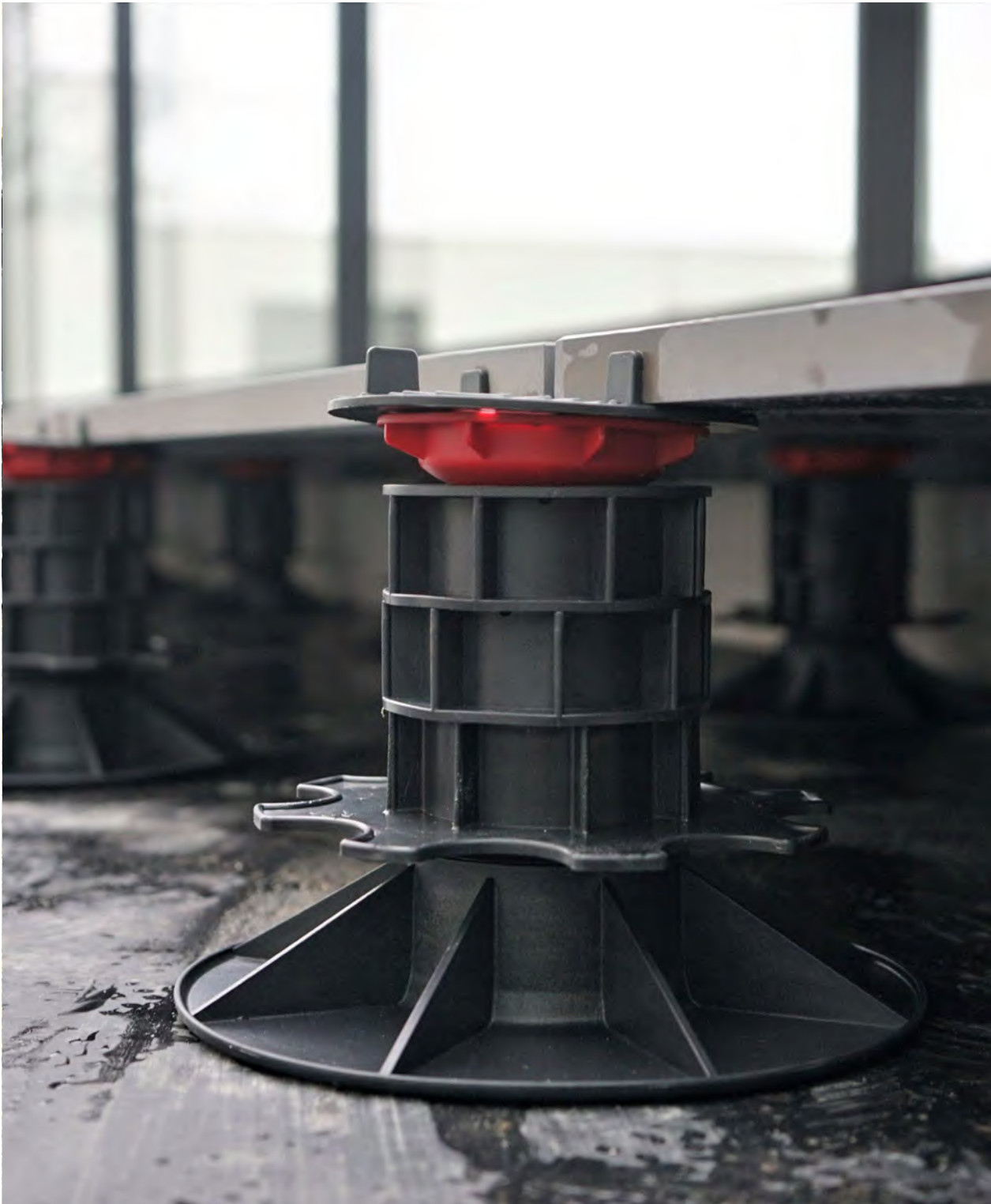
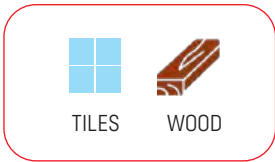


AK 5/8

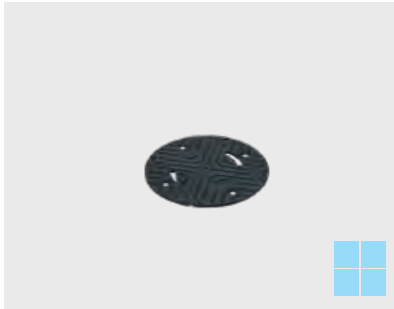
ref. 008791

- The AK pedestals allow to install the tiles perfectly stable against the wall

Range: 50 - 80 mm
1.97 - 3.14 inch



TOP PLATES



C0

ref. 001660

- Flat top plate, without upstands
- Supports tiles larger than 60 by 60 cm
23.62 inch by 23.62 inch
- Is combined with an adjustable pedestal of choice



C2/4T

ref. 003386

- Is combined with an adjustable pedestal of choice
- Upstands height: 10 mm
0.39 inch
- Removeable upstands



C3/4T

ref. 001657

- Is combined with an adjustable pedestal of choice
- Upstands height: 15 mm
0.59 inch
- Removeable upstands

Joint width: 2 mm
1/13 inch

Joint width: 3 mm
1/8 inch

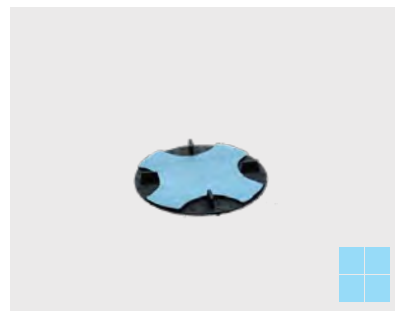


C6/4T

ref. 009091

- Is combined with an adjustable pedestal of choice
- Upstands height: 10 mm
0.39 inch
- Removeable upstands

Joint width: 6 mm
0.24 inch



STICKSOL

C2/4T BT: ref. 009815
C3/4T BT: ref. 008659
C6/4T BT: ref. 010195

- Sticksol option possible with all Comfort top plates for tiles
- Double-sided self-adhesive bitumen fitting piece to prevent tile shifting
- Reduces transmitted noise by 75%
- Provides a solid terrace
- Tested in a Voxdale wind tunnel

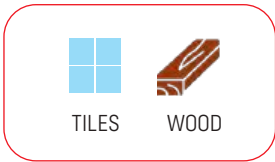
Joint width: 0, 2, 3 or 6 mm
0, 1/13, 1/8 or 0.24 inch



CPV+

ref. 009197

- Supports wooden beams
- Optional fixation along bottom or side
- Is combined with an adjustable pedestal of choice
- Self-centring
- 5 various installation options



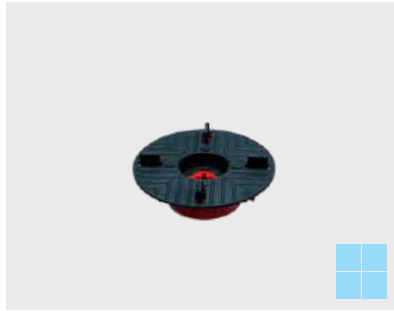
TILEKEY C4/4T SLOPE

ref. 013055

- By means of this top plate, the pedestals can always be adjusted afterwards with the Tilekey
- Top plate with automatic slope corrector
- Corrects slope differences up to a maximum of 5%
- Consists of two parts that need to be slid into each other
- Removeable upstands

Joint width: 4 mm
0.16 inch

Height: 20 mm
0.79 inch



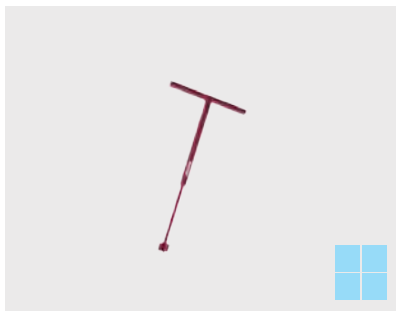
TILEKEY C4/4T FIX

ref. 013054

- With this top plate, the supports can always be adjusted afterward using the Tilekey
- Fixed top plate
- Consists of two parts that need to be slid together
- Removeable upstands

Joint width: 4 mm
0.16 inch

Height: 20 mm
0.79 inch

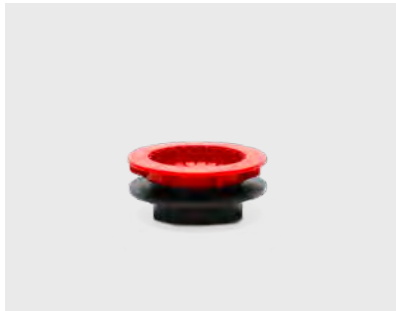


TILEKEY

ref. 012904

- Used to adjust the pedestals with the Tilekey top plate after installation

SLOPE CORRECTOR

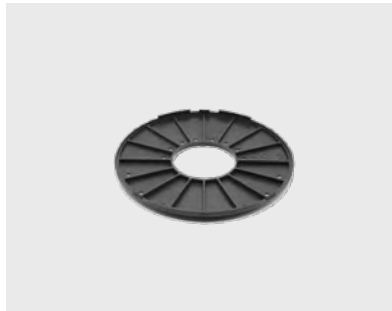


HA5

ref. 009560

- Automatic slope corrector
- Improves slope differences up to max. 5%
- Can be combined with various accessories
- HA5 is mounted on the PV

Height: 20 mm
0.79 inch



HS2

ref. 003324

- Fixed slope corrector
- Improves slope differences by 2%
- Stackable up to 8 %
- Is mounted under the terrace pedestal



EXTENSION PIECES



F30

ref. 008399

- Increases the range of a pedestal by 30 mm/ 1.18 inch
- Stackable



AF100

ref. 003991

- Increases the range of a terrace pedestal by 100 mm/ 3.94 inch
- Can be screwed together
- Threaded

Compatible with each other

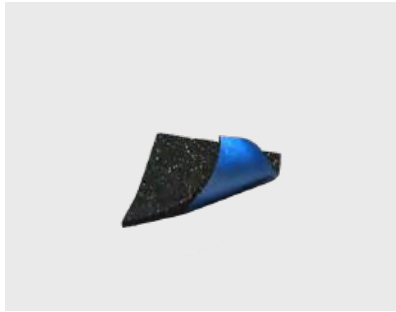


TILES



WOOD

UNDER-PEDESTAL ACCESSORIES



PROTECTIVE RUBBER SMALL + PE FILM

ref. 011668

- Sound-absorbing, cushioning and water-permeable
- The PE film under the protective rubber is best used when installing a terrace on adjustable pedestals placed on a PVC roofing membrane, to prevent damage to your roofing

Dimension: 96 x 96 mm
3.78 x 3.78 inch

Thickness: 6 mm
0.24 inch



PROTECTIVE RUBBER SMALL

3 mm: ref. 009168

5 mm: ref. 009172

10 mm: ref. 009173

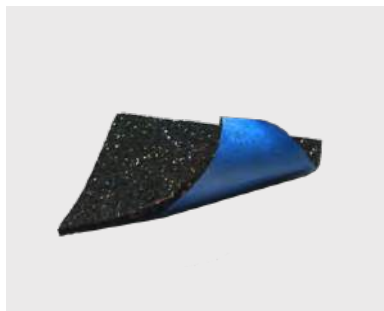
- Sound-absorbing, cushioning and water-permeable

Dimension: 96 x 96 mm
3.78 x 3.78 inch

Thickness: 3, 5 or 10 mm
0.11, 0.19 or 0.39 inch



Installation video:



PROTECTIVE RUBBER LARGE + PE FILM

ref. 011667

- Sound-absorbing, cushioning and water-permeable
- The PE film under the protective rubber is best used when installing a terrace on adjustable pedestals placed on a PVC roofing membrane, to prevent damage to your roofing

Dimension: 210 x 210 mm
8.27 x 8.27 inch

Thickness: 6 mm
0.24 inch



PROTECTIVE RUBBER LARGE

3 mm: ref. 009171

5 mm: ref. 009169

10 mm: ref. 009170

- Sound-absorbing, cushioning and water-permeable

Dimension: 210 x 210 mm
8.27 x 8.27 inch

Thickness: 3, 5 of 10 mm
1/8, 0.19 or 0.39 inch



Installation video:



ACCESSORIES FOR TILED TERRACES



EPDM SOLID RUBBER ADAPTOR

1 mm: ref. 008155
 2 mm: ref. 008156
 3 mm: ref. 008733

- Sound-absorbing, cushioning and waterresistant protective layer

Thickness: 1, 2 or 3 mm
 1/32, 1/13 or 1/8 inch

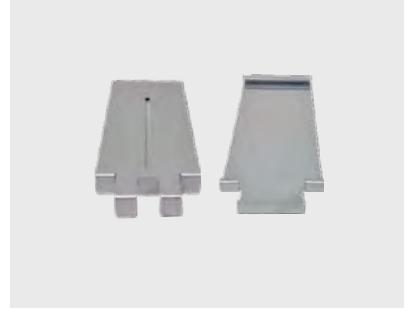


WALL FINISH

4 mm: ref. 008600
 6 mm: ref. 008601
 10 mm: ref. 008507

- Joint between tile and wall
- Shock absorbing
- Tile + facade protection
- Consistent joint width
- Is glued to the side of the tile

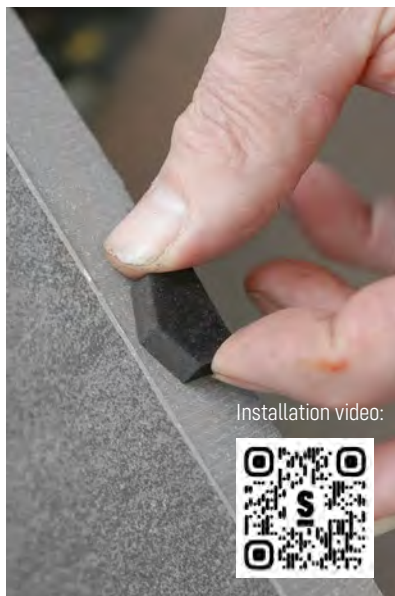
Joint width: 4, 6 or 10 mm
 5/32, 0.24 or 0.39 inch



EDGE FINISH

ref. 007071
 ref. 007072

- For placement at the end of a terrace with open edge
- Provides a beautiful edge finish
- Suitable for tiles with a thickness of 20 mm
 0.79 inch





TILELOCK VISIBLE*

ref. 011462

- Reduces the risk of tiles being blown away due to strong gusts of wind
- Is installed on the corners of the tile
- The effectiveness of the Tilelock Visible is enhanced when combined with a Sticksol self-adhesive top plate
- Secured directly into the pedestal's top plate using the provided screw
- The ring and screw are made of stainless steel



TILELOCK INVISIBLE*

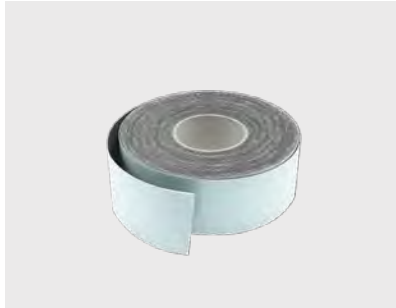
ref. 012661

- Must be fixed in the designated grooves of the tile
- Reduces the risk of tiles being lifted by strong wind gusts
- Secured directly into the pedestal's top plate using the provided screw
- The ring and screw are made of stainless steel



*First, a wind load calculation must be carried out by SOLIDOR.

ACCESSORIES FOR WOODEN TERRACES



WATERPROOF STRIP 50 MM

20.000 x 50 mm: ref. 010604
20.000 x 80 mm: ref. 005703

- Sound-absorbing, cushioning and water resistant protective layer
- Prevents decay of underlying support beams
- EPDM closed-cell rubber
- Adhesive

Dimensions: 20.000 x 50 mm
787.40 x 1.97 inch
20.000 x 80 mm
787.40 x 3.15 inch

Thickness: 2 mm
0.08 inch



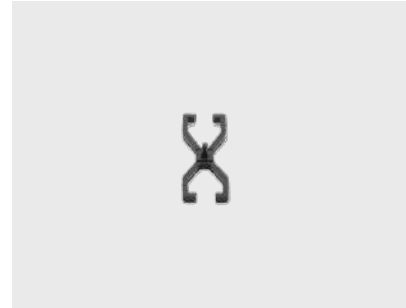
FACADE SEALING TAPE

20.000 x 100mm: ref. 011764
25.000 x 60 mm: ref. 100262

- Used to create a watertight seal
- Protection against rising damp
- Non-adhesive
- EPDM closed-cell rubber

Dimensions: 20.000 x 100 mm
787,40 x 3,94 inch
25.000 x 60 mm
984,25 x 2,36 inch

Thickness: 0,75 mm
0,03 inch

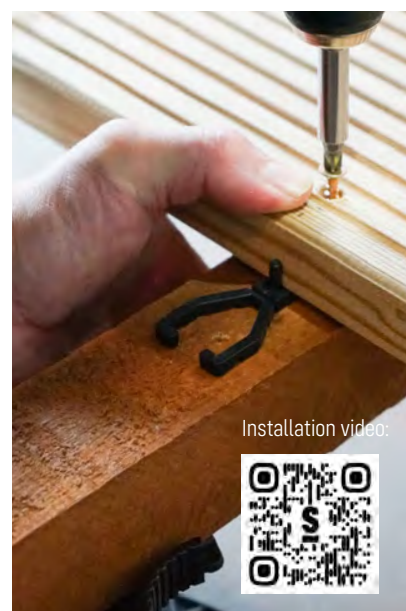


SPACER

4 mm: ref. 008453
7 mm: ref. 009262

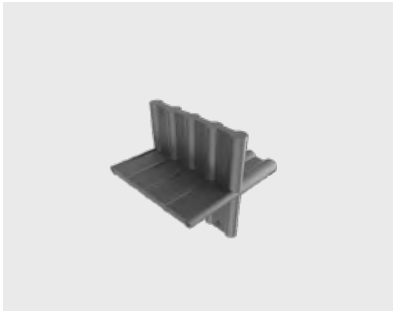
- Prevents contact of wooden planks and underlying support beams
- Prevents flooding
- Provides a smooth joint
- Extends the life span of your terrace

Joint width: 4 or 7 mm
0.16 or 0.28 inch





WOOD



MULTI SPACER

ref. 013247

- Provides a smooth joint

Joint width: 4, 5, 6 and 7 mm
0.157, 0.197, 0.236 and 0.276 inch



SOLASTICK

ref. 001696

- No visible screws on the terrace surface
- Prevents flooding
- Extends the life span of your terrace
- Reinforced with fiberglass

Height: 10 mm
0.39 inch



SOLASWITCH

ref. 011014

- This system allows you to easily remove the decking board without having to dismantle the entire terrace.
- It acts as a lock that needs to be turned to remove the wooden plank.
- Not visible on the terrace surface.

Height: 8 mm
0.315 inch



Installation video:

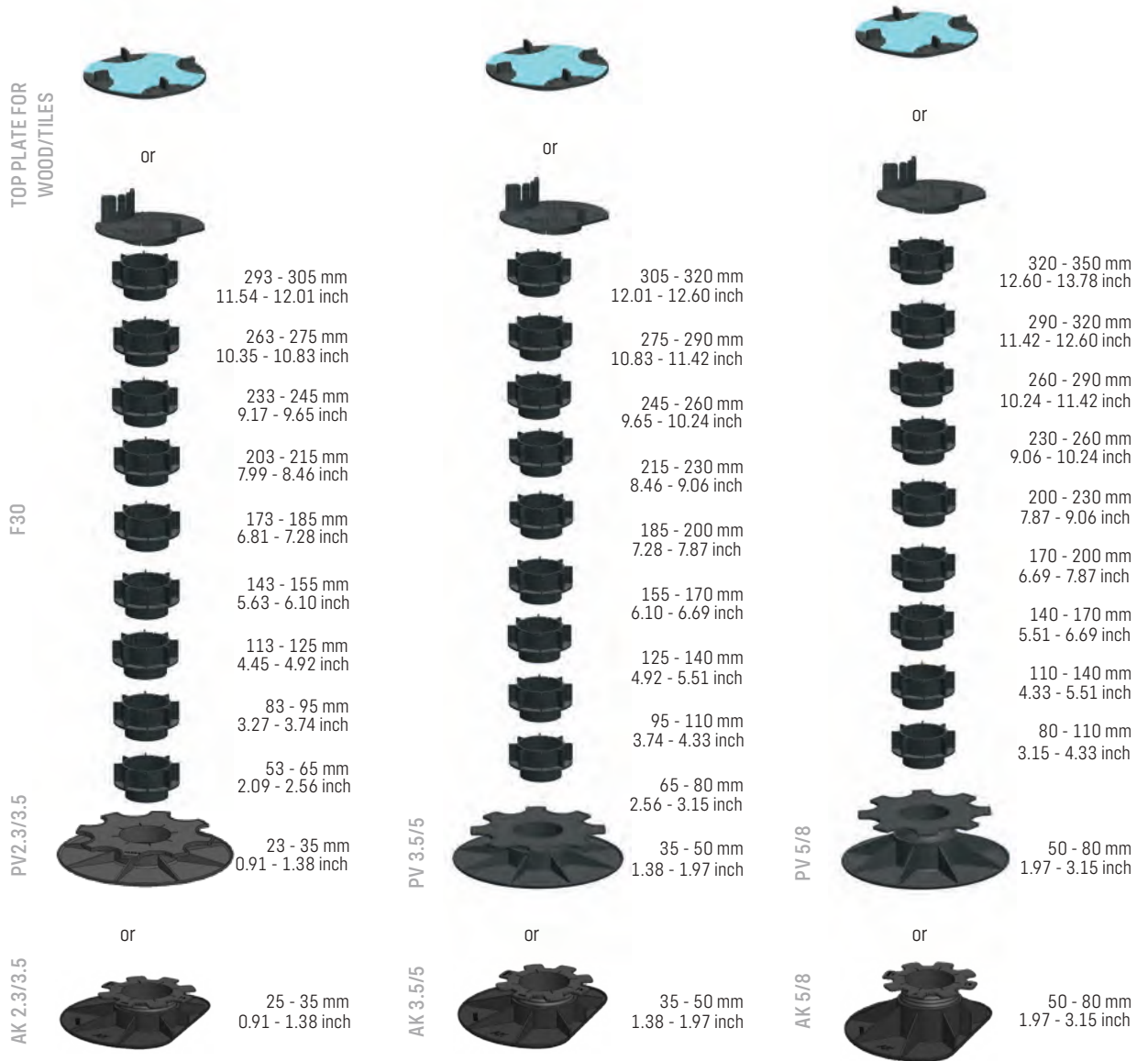


Installation video:



GRAPHIC REPRESENTATION OF HEIGHTS

F30





TILES



WOOD



or



-  350 - 380 mm
13.78 - 14.96 inch
-  320 - 350 mm
12.60 - 13.78 inch
-  290 - 320 mm
11.42 - 12.60 inch
-  260 - 290 mm
10.24 - 11.42 inch
-  230 - 260 mm
9.06 - 10.24 inch
-  200 - 230 mm
7.87 - 9.06 inch
-  170 - 200 mm
6.69 - 7.87 inch
-  140 - 170 mm
5.51 - 6.69 inch
-  110 - 140 mm
4.33 - 5.51 inch
-  80 - 110 mm
3.15 - 4.33 inch

PV 8/11



or



-  380 - 410 mm
14.96 - 16.14 inch
-  350 - 380 mm
13.78 - 14.96 inch
-  320 - 350 mm
12.60 - 13.78 inch
-  290 - 320 mm
11.42 - 12.60 inch
-  260 - 290 mm
10.24 - 11.42 inch
-  230 - 260 mm
9.06 - 10.24 inch
-  200 - 230 mm
7.87 - 9.06 inch
-  170 - 200 mm
6.69 - 7.87 inch
-  140 - 170 mm
5.51 - 6.69 inch
-  110 - 140 mm
4.33 - 5.51 inch

PV 11/14



or

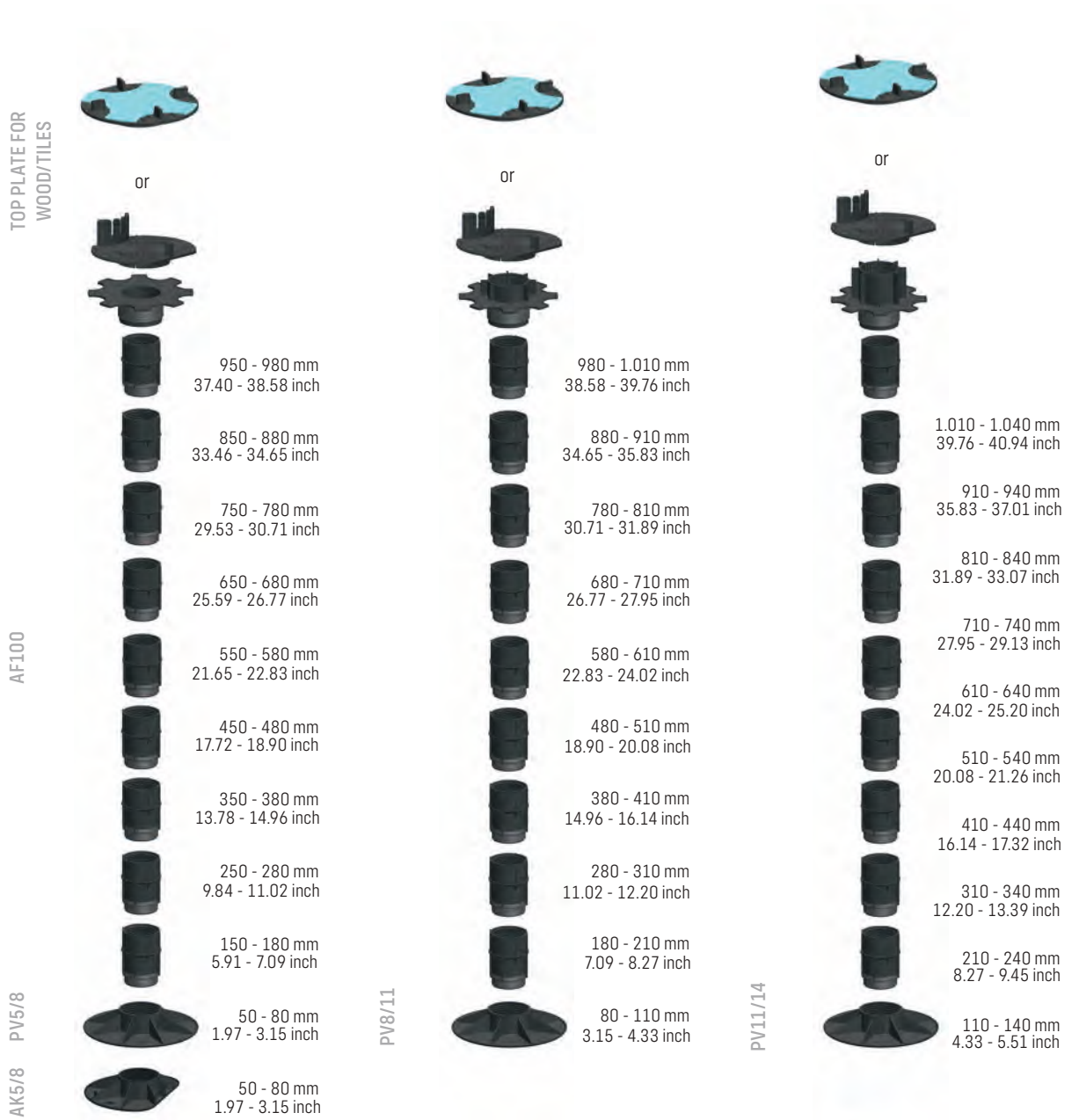


-  410 - 440 mm
16.14 - 17.48 inch
-  380 - 410 mm
14.96 - 16.14 inch
-  350 - 380 mm
13.78 - 14.96 inch
-  320 - 350 mm
12.60 - 13.78 inch
-  290 - 320 mm
11.42 - 12.60 inch
-  260 - 290 mm
10.24 - 11.42 inch
-  230 - 260 mm
9.06 - 10.24 inch
-  200 - 230 mm
7.87 - 9.06 inch
-  170 - 200 mm
6.69 - 7.87 inch
-  140 - 170 mm
5.51 - 6.69 inch

PV 14/17

GRAPHIC REPRESENTATION OF HEIGHTS

AF100





TILES



WOOD



or



1.010 - 1.070 mm
39.76 - 42.13 inch

940 - 970 mm
37.01 - 38.19 inch

840 - 870 mm
33.07 - 34.25 inch

740 - 770 mm
29.13 - 30.31 inch

640 - 670 mm
25.20 - 26.38 inch

540 - 570 mm
21.26 - 22.44 inch

440 - 470 mm
17.32 - 18.50 inch

340 - 370 mm
13.39 - 14.57 inch

240 - 270 mm
9.45 - 10.63 inch

140 - 170 mm
5.51 - 6.69 inch

PV14/17

LUMIS^L - LUMINOUS TOP PLATE FOR TILES





TILES

LIGHT UP YOUR TERRACE!

LUMISOL is the illuminated top plate that fits on SOLIDOR Comfort terrace pedestals. The diffused light subtly shines through the tile joints, creating a warm, architectural glow. Quick to install, water-resistant, and app-controlled. Developed in Belgium, made for international use.

Advantages:

- Perfectly compatible with Comfort terrace pedestals
- Energy-efficient LED technology
- Designed in Belgium, West Flanders
- IP68 protection rating: *dustproof and waterproof
- Fast, easy and waterproof installation
- Choose from multiple colors (adjustable via the app)
- Smart control via a free application

Website page:



World first in terrace pedestals: an illuminated top plate.



TOP PLATE



LUMISOL X

ref. 013949

- Inclusif Protective rubber Lumisol

Joint width: 3 mm/ 1/8 inch

Diameter: 123 mm/ 4.84 inch

Colour: transparent

Spacer height: 20 mm/ 0.79 inch

Light source: LED

IMPORTANT!

Suitable for all terrace pedestals from the Comfort range. The free build-up height must be 10 cm/ 3.94 inch.

The Lumisol top plate is also not compatible with the F30 extension piece.

What is included in one set? ref. 013950

- 1x black transfo
- 3x Lumisol X
- 3x Protective rubber Lumisol



ACCESSORIES COMPATIBLE WITH THIS TOP PLATE



AF100

ref. 003991

- Increases the range of a terrace pedestal by 100 mm/ 3.94 inch
- Can be screwed together
- Threaded



TILES

INSTALLATION STEP-BY-STEP GUIDE



STEP 1

Place a protective rubber Lumisol underneath the pedestal.



STEP 2

The cable is placed in the designated opening of the Lumisol protective rubber.



STEP 3

Place the top plate on the terrace pedestal.



STEP 4

Connect the cable and plug it into the socket.



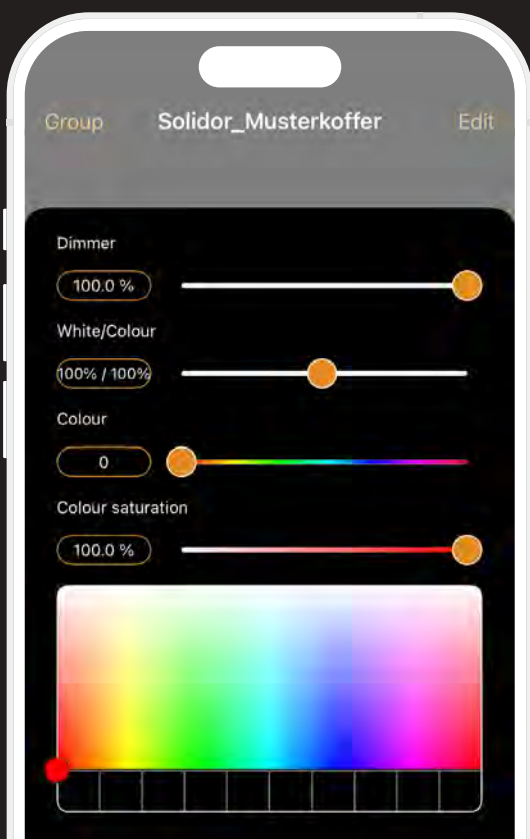
STEP 5

Connect with the app.



STEP 6

Select your desired colour and ambiance via your smartphone.



SMART CONTROL VIA THE APP

- Dimmable 0-100%
- White to warm + colour accents
- Grouping by zone/terrace

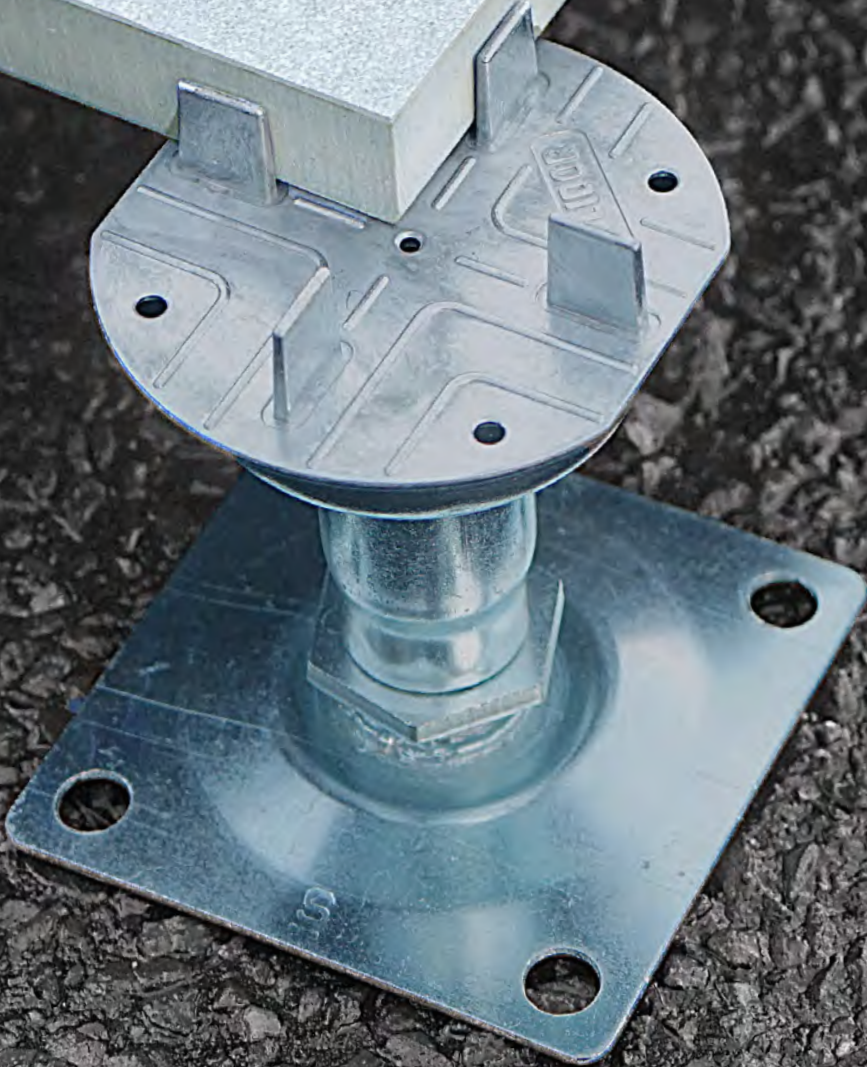






TERRACE PEDESTALS
LUMISOL

FIRESOL - FIREPROOF PEDESTALS





TILES



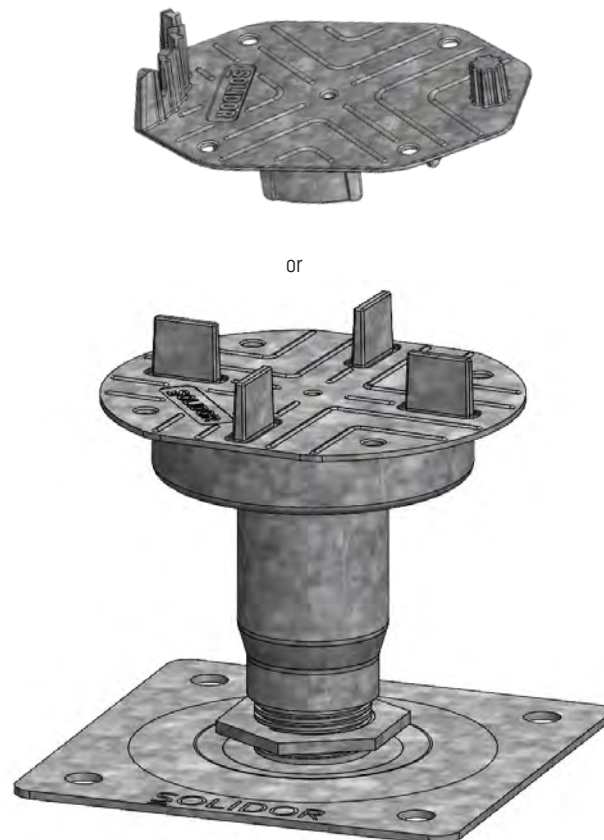
WOOD

FIREPROOF TERRACE PEDESTALS FOR DECKING OR TILES

SOLIDOR, a pioneer in terrace pedestals, offers in addition to the Comfort range, but also fireproof pedestals under the Firesol range. The Firesol pedestals consist of modular adjustable pedestals, **starting with a minimum height of 25 mm/1 inch and can go up to 220mm/8,66 inch.**

Advantages:

- Fire-free, Euroclass A1 compliant
- For new construction and renovation projects
- Each has a blocking ring (level controller)
- Modular
- High bearing capacity: 3,000 kg/m²



FIREPROOF ADJUSTABLE PEDESTALS



FS 2.5/3.5

ref. 012290

Range: 25 – 35 mm
0.98 - 1.38 inch



FS 3.5/4.5

ref. 011095

Range: 35 – 45 mm
1.38 - 1.77 inch



FS 4.5/6

ref. 011096

Range: 45 – 60 mm
1.77 - 2.36 inch



FS 6/8

ref. 010240

Range: 60 – 80 mm
2.36 - 3.15 inch



FS 7/10

ref. 010241

Range: 70 – 110 mm
2.76 - 4.33 inch



FS 9/14

ref. 010242

Range: 90 – 140 mm
3.54 - 5.51 inch



FS 13/22

ref. 010243

Range: 130 – 220 mm
5.12 - 8.66 inch



TILES



WOOD

TOP PLATE



FS C3/4T

ref. 010589

- Can be combined with an FS adjustable terrace pedestal of your choice

Joint width: 3 mm
1/8 inch
Spacer height: 13 mm
0.51 inch

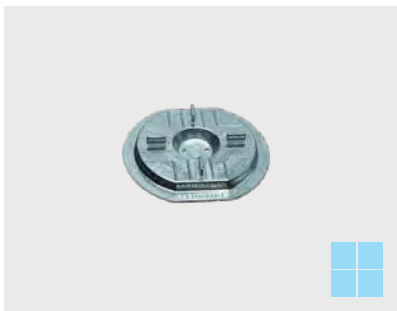
FS CPV+

ref. 012109

- Supports wooden beams
- Optional fixation along bottom or side
- Can be combined with an FS adjustable terrace pedestal of your choice
- Self-centring

**SOLIDOR'S FIREPROOF
PEDESTALS WITH A HIGH
BEARING CAPACITY**

FIXED PEDESTAL



FS DALSUP

ref. 012556

- Stackable

Height: 10 mm
0.39 inch
Joint width: 3 mm
1/8 inch



STRUCTUSOL - ALUMINIUM SUPPORT SYSTEM





TILES

INNOVATION, STRENGTH AND STABILITY IN ONE SYSTEM

You already know the strength of our SOLIDOR terrace pedestals. The Structusol system is the aluminium support structure for tile installations and the perfect complement to them. The result is an extremely stable and durable substructure.

Use the different connectors for a smooth installation and the practical joint pieces for efficient water management. Stability is guaranteed thanks to the blind rivets.

- Unlimited in terms of tile sizes and installation patterns
- For new construction and renovation projects
- Eliminates slopes and unevenness
- Fast and comfortable placement

Compatible with all terrace pedestals from the SOLIDOR range.

Integrated thermoplastic rubbers



ALUMINIUM SUPPORT SYSTEM

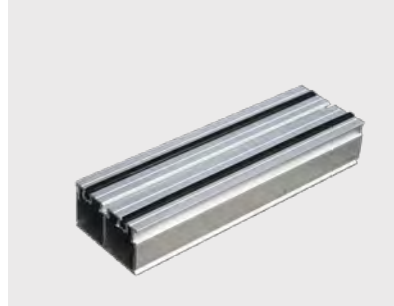


STRUCTUSOL

aluminium: ref. 008428
black powder-coated aluminium: ref. 011404

- 2,4 m/ 94.49 inch long
- Made of aluminium with the lowest CO² emissions on the market
- Also available in black powder-coated
- 5 adjustable pedestals/ profile

Thickness: 16 mm
0.63 inch



STRUCTUSOL XL

aluminium: ref. 012107
black powder-coated aluminium: ref. 012108

- 2,4m/ 94.49 inch long
- Made of aluminium with the lowest CO² emissions on the market
- Also available in black powder-coated
- 3 adjustable pedestals/ profile

Thickness: 45 mm
1.77 inch

TOP PLATE



C-CLIP

ref. 009777

- Top plate specially designed for inserting the Structusol Comfort profile
- Two holes on outer sides for cab

Height: 10 mm
0.39 inch



TILES

ACCESSORY



INOX L

ref. 010239

- L-shaped
- Made of stainless steel
- For finishing open sides
- Accessory for creating stair steps



STRUCTUSOL EDGE FINISH

ref. 010860
ref. 007071

- Finishing of terrace with tiles laid parallel with aluminum support system.





TILES

ACCESSORY



UPWIND PREVENTION*

ref. 012827

- Specially designed for the Structusol range
- Must be installed in the grooves of the tile
- Reduces the risk of tiles being lifted by strong gusts of wind
- Is screwed directly into the aluminum support system using the supplied screw

Joint width: 5 mm
4/25 inch

*A wind load calculation must first be performed by SOLIDOR.



ACCESSORIES

JOINT PIECES

Joint piece
C3L
ref. 008149



Joint piece with
cross head (break to size)
C2X - joint width 2 mm/ 1/13 inch
C3X - joint width 3 mm/ 1/8 inch
C6X - joint width 6 mm/ 1/4 inch
C2X: ref. 010407
C3X: ref. 008480
C6X: ref. 010295



Joint piece
stretcher bond
C3T
ref. 009457



CONNECTORS

Frontal
connector
VF
ref. 008466



Lateral
connector
VL
ref. 008429



FRONTAL AND LATERAL FINISH

Frontal
wall finish
KF
ref. 008531



Lateral
wall finish
KL
ref. 008533





TILES

AWARD WINNING SYSTEM

- Sageret élu BTP (FR)
- Designregio Kortrijk (BE)

SUPPORT SYSTEMS ON PEDESTALS
STRUCTUSOL

QUICK INSTALLATION WITH EXCELLENT LEVELING

STEP 1

Place the terrace pedestals after determining the direction of the Structusol support structures depending on the laying pattern.

STEP 2

Saw the aluminium supporting structures to size and place them on the terrace pedestals by means of the wall and connecting pieces.

STEP 3

Place the joint pieces and the tiles.
Repeat these steps.

Installation video:





TILES



* Fixing the joint pieces with a blind rivet is recommended for optimal stability.







TILES



SUPPORT SYSTEMS ON PEDESTALS
STRUCTUSOL

UNISOL - STRUCTURAL TILE





GRAVEL ROCK



GRASS MATS



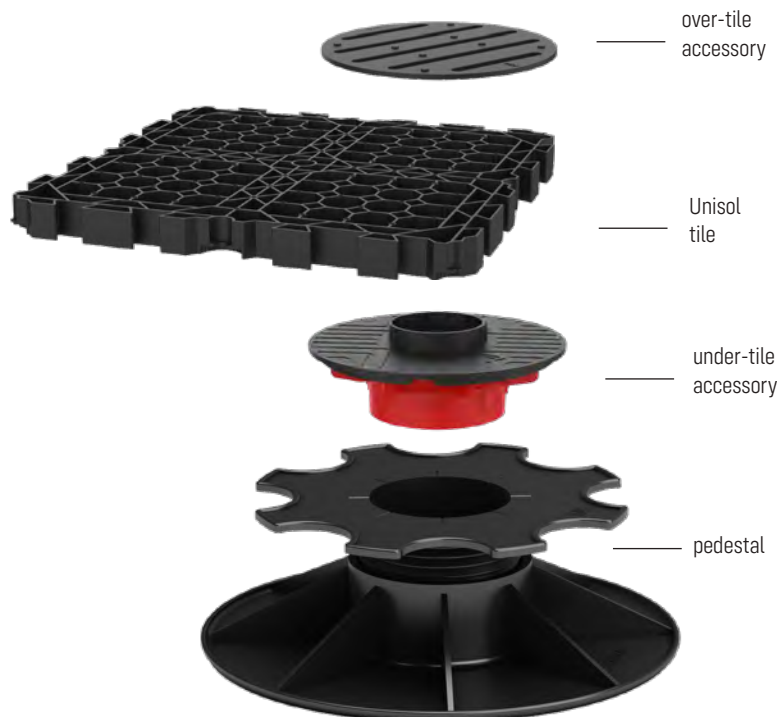
TILES

STRONG AND FLEXIBLE SUPPORT STRUCTURE FOR TERRACES

The UNISOL system is an innovative support structure that allows you to build terraces quickly and safely. The range consists of a structural tile (50 x 50 cm, 4 cm thick/ 19.69 x 19.69 inch, 1.57 inch thick) with matching top plates that rest on adjustable terrace pedestals. Thanks to its smart design, you can choose from various finishes such as ceramic tiles, natural stone, gravel, or grass mats.

Key features of the UNISOL structural tile:

- Quick and easy installation
- Suitable for various finishes (ceramic tiles, natural stone, gravel, or grass mats)
- Flexible in height and design
- Durable and low-maintenance



STRUCTURAL TILE - UNISOL



UNISOL TILE

ref. 013866

- Tiles, stones, or grass mats can be easily installed on the structural tile
- Each tile requires 4 adjustable terrace pedestals for support.

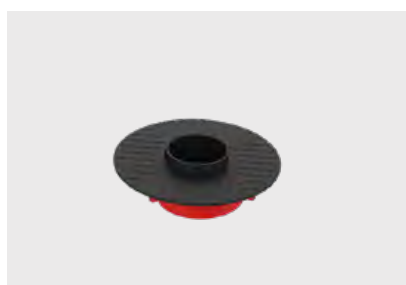
Height: 4 cm

1.57 inch

Dimensions: 50 x 50 cm

19.69 x 19.69 inch

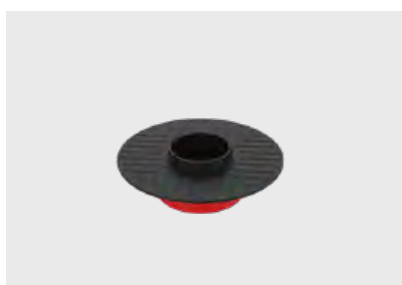
ACCESSORIES FOR UNDERNEATH THE UNISOL TILE



UN/SLOPE

ref. 013867

- The adjustable terrace pedestal with this top plate can always be adjusted afterwards using the Tilekey key
- Top plate with automatic slope corrector
- Corrects height differences of up to 5%



UN/FIX

ref. 013877

- The adjustable terrace pedestal with this top plate can always be adjusted afterwards using the Tilekey key
- Fixed top plate



TILEKEY

ref. 012904

- It is used to adjust the pedestals with the Unisol accessories underneath the tile after installation.



GRAVEL ROCK



GRASS MATS



TILES

ACCESSORIES FOR UP THE STRUCTURAL TILE



UP/C3/4T

ref. 013868

- Need to be placed up the Unisol tile
- Height of spacers: 10 mm/ 0.39 inch
- Option to break off the four upstands



UP/GLUE

ref. 013869

- Need to be placed up the Unisol tile
- Provide notches in the top plate for the adhesive to bond



UP/BACKET

ref. 013870

- Can be fixed by screw
- Is used to hold tiles in place

DEQSOL - ALUMINIUM SUPPORT SYSTEM





WOOD

The Deqsol aluminium support system is **designed for the installation of wooden or composite terraces**. It is developed to prevent the rotting of underlying joists and to extend the lifespan of your deck.

Compatible with all decking pedestals from the SOLIDOR range.

Additional benefits:

- Rot-resistant
- No deformation of the aluminum system
- Extra stability
- Installation uses C-Clip and C2-Clip top plates, saving time as there is no need to screw into the aluminum profiles
- Electrical cables and utilities can be easily placed underneath the terrace
- Enhanced air circulation between wooden or composite terraces through spacers and accessories
- The system features 3 grooves for the attachment of clips using self-tapping screws
- More than 80% of the aluminum in our Deqsol system comes from recycled aluminum



Installation video:



SYSTEM



PROFILE

ref. 010599

- 2,3 m/ 90.55 inch long
- Made from aluminum with the lowest CO² emissions on the market

Thickness: 30 mm
1.18 inch

TOP PLATES



C-CLIP

ref. 009777

- Comfort top plate designed to fit the Deqsol profile
- Two holes on the outer sides for cable ties to secure cables to the top plate

Height: 10 mm
0.39 inch

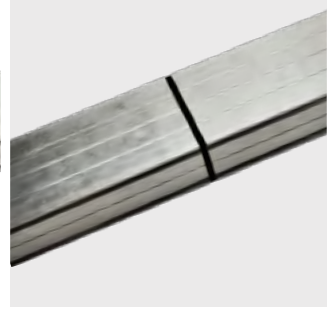


WOOD

ACCESSORIES

CONNECTORS

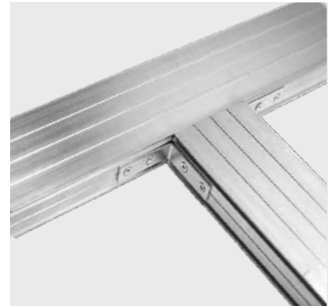
Frontal connector
FC
ref. 010699



Lateral connector
LC
ref. 010698



Lateral connector
inox L
LC inox L
ref. 010999



No screws visible
on the surface of
the terrace
Solastick
ref. 001696



LINUP - ALUMINIUM SUPPORT SYSTEM FOR WOODEN TERRACES





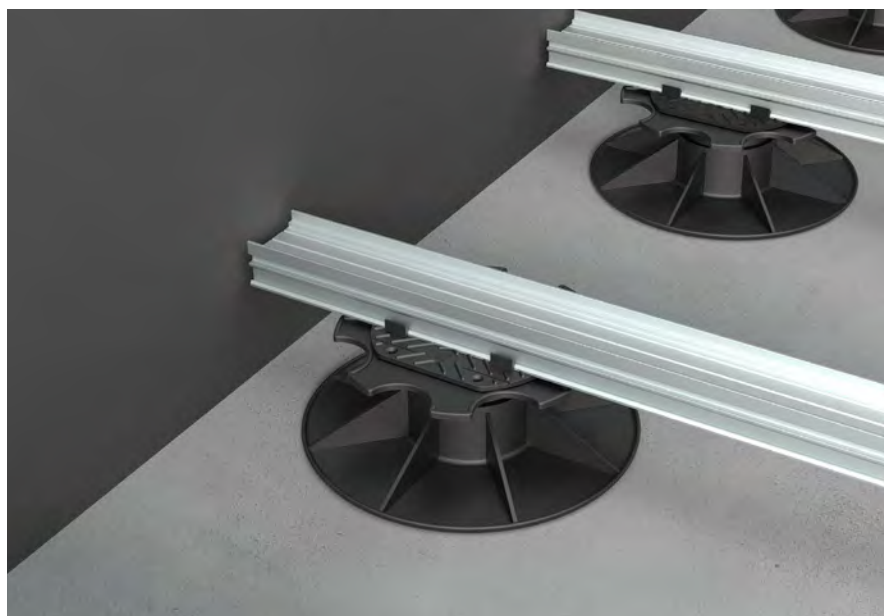
WOOD

LINUP: A CLICK & SLIDE SYSTEM FOR THE CONCEALED FASTENING OF WOODEN DECKING

The SOLIDOR Linup terrace system consists of a **30 mm/1.18 inch high aluminium profile and matching clips**. This system allows you to easily install solid wooden decking on SOLIDOR terrace pedestals.

The clips create the perfect joint, and the end piece securely locks the entire construction in place.

More information about the types of decking and the installation guide can be found on our website.



PROFILE



LINUP 30 MM

ref. 011938

- Profile designed for supporting terraces
- Made of 80% recycled aluminum

Height: 30 mm
1.18 inch

TOP PLATE



C-CLIP LINUP

ref. 012990

- Compatible with the Comfort range
- Top plate developed to insert the Linup profiles





WOOD

LINUP CLIPS

Wood groove
for this clip:



- Possible in hardwood types: IPE, PADOEK, and CUMARU
- For other hardwood types, please contact us



CLIPS CONNECTOR

ref. 013058

- The profiles can be extended by sliding the connector piece into the profile and attaching the next profile to it



CLIPS EDGE

ref. 011936

- Is placed at the end and the beginning of the aluminum profile



CLIPS MEDIUM

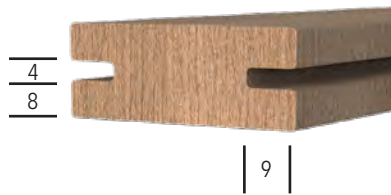
ref. 011934

- Four angled upstands are each slid into the provided groove of the wooden decking.
- The number of clips to be used depends on the type of wood.

Joint width: 4 mm
0.16 inch

LINUP CLIPS

Wood groove
for this clip:



- Possible in hardwood types: MOSO bamboo, padauk and thermally treated wood
- For other hardwood types, please contact us



CLIPS CONNECTOR

ref. 013058

- The profiles can be extended by sliding the connector piece into the profile and attaching the next profile to it.



CLIPS EDGE

ref. 011936

- Is installed at the end of the aluminium profile.



CLIPS SMALL

ref. 011931

- Four angled upstands are each slid into provided groove of the wooden shelf.
- The number of clips to be used depends on the type of wood.

Joint width: 5,5 mm
0.22 inch



WOOD

ACCESSORY

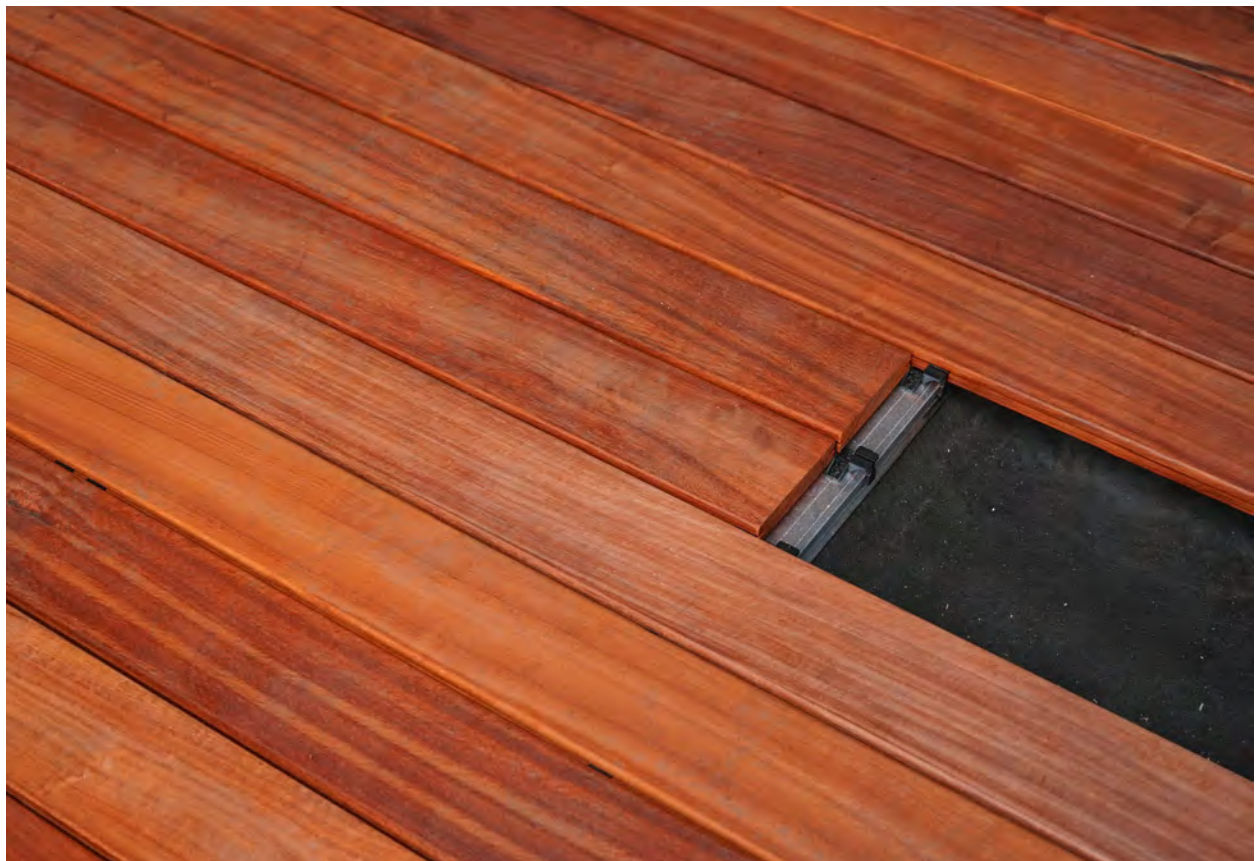


UNCLIPPING TOOL

ref. 013741

- Linup clip removal tool

Length: 202,30 mm
8 inch



SIDESOL - EDGE PROFILES

ISI



TILES

AESTHETIC, CLEAN FINISH

"Built to last a lifetime"

The SOLIDOR finishing profiles have been specially **designed for finishing the edges of a terrace on terrace pedestals**. These profiles are installed between the terrace pedestal and the tile and are available in three colours.

Advantages:

- Quick and easy installation
- Pre-drilled holes in the aluminium for added strength
- Robust and durable material
- Available in three stylish colours and various heights
- Supplied with connectors for seamless installation
- Made from 80% recycled aluminium
- The aluminium profile is 2,2 mm thick – unique!
0.09 inch thick - unique!

Installation video:



Available in three colours:



black



mid-grey



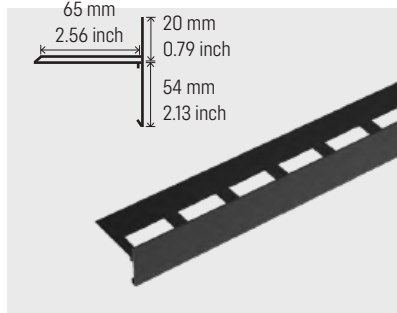
corten steel

2,2 mm
0.09 inch



FINISHING
SIDESOL

STRAIGHT PROFILES

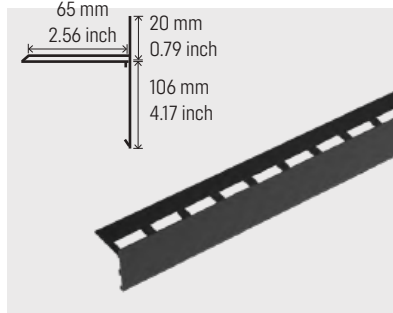


S 74

black: ref. 012443
 corten steel: ref. 012463
 mid-grey: ref. 012460

- Available in three colours
- Connect the profiles with an SC connector at each end

Height: 74 mm
 2.91 inch
Length: 2,40 m
 94.49 inch
Thickness: 2,2 mm
 1/13 inch

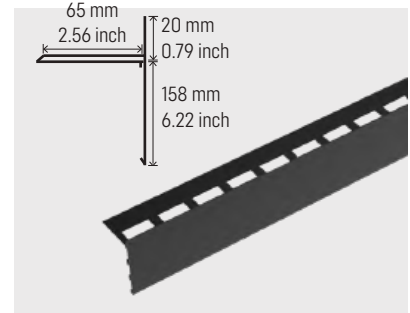


S 126

black: ref. 012466
 corten steel: ref. 012472
 mid-grey: ref. 012469

- Available in three colours
- Connect the profiles with an SC connector at each end

Height: 126 mm
 4.96 inch
Length: 2,40 m
 94.49 inch
Thickness: 2,2 mm
 1/13 inch



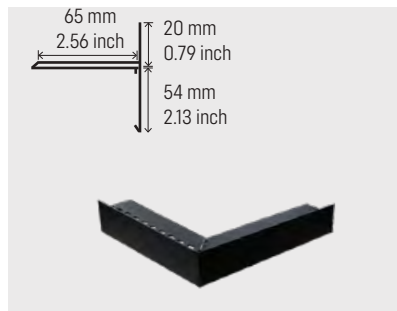
S 178

black: ref. 012475
 corten steel: ref. 012481
 mid-grey: ref. 012478

- Available in three colours
- Connect the profiles with an SC connector at each end

Height: 178 mm
 7.01 inch
Length: 2,40 m
 94.49 inch
Thickness: 2,2 mm
 1/13 inch

EXTERNAL CORNER PROFILES 90-DEGREE

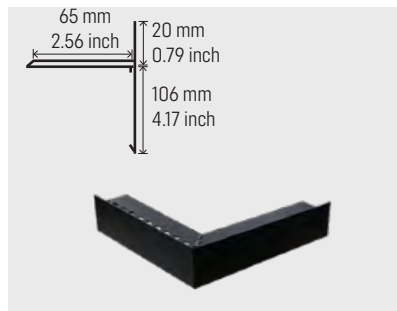


SBU 74

black: ref. 012444
 corten steel: ref. 012464
 mid-grey: ref. 012461

- Available in three colours
- Connect the profiles with an SC connector at each end

Height: 74 mm
 2.91 inch
Dimension: 285 x 285 mm
 11.22 x 11.22 inch
Thickness: 2,2 mm
 1/13 inch

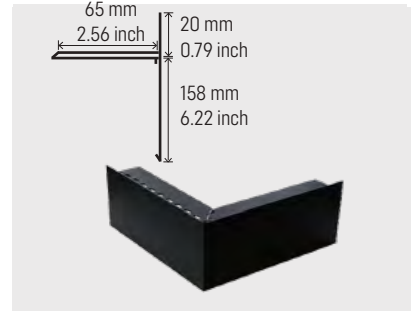


SBU 126

black: ref. 012467
 corten steel: ref. 012473
 mid-grey: ref. 012470

- Available in three colours
- Connect the profiles with an SC connector at each end

Height: 126 mm
 4.96 inch
Dimension: 285 x 285 mm
 11.22 x 11.22 inch
Thickness: 2,2 mm
 1/13 inch

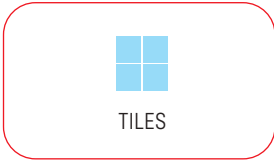


SBU 178

black: ref. 012476
 corten steel: ref. 012482
 mid-grey: ref. 012479

- Available in three colours
- Connect the profiles with an SC connector at each end

Height: 178 mm
 7.01 inch
Dimension: 285 x 285 mm
 11.22 x 11.22 inch
Thickness: 2,2 mm
 1/13 inch



INTERNAL CORNER PROFILES 90 DEGREES



SBI 74

black: ref. 012459
 corten steel: ref. 012465
 mid-grey: ref. 012462

- Available in three colours
- Connect the profiles with an SC connector at each end

Height: 74 mm
 2.91 inch
Dimension: 285 x 285 mm
 11.22 x 11.22 inch
Thickness: 2,2 mm
 1/13 inch

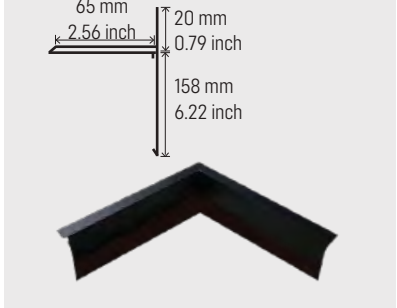


SBI 126

black: ref. 012468
 corten steel: ref. 012474
 mid-grey: ref. 012471

- Available in three colours
- Connect the profiles with an SC connector at each end

Height: 126 mm
 4.96 inch
Dimension: 285 x 285 mm
 11.22 x 11.22 inch
Thickness: 2,2 mm
 1/13 inch



SBI 178

black: ref. 012477
 corten steel: ref. 012483
 mid-grey: ref. 012480

- Available in three colours
- Connect the profiles with an SC connector at each end

Height: 178 mm
 7.01 inch
Dimension: 285 x 285 mm
 11.22 x 11.22 inch
Thickness: 2,2 mm
 1/13 inch

CONNECTION PLATE



Available in three colours:

black	mid-grey	corten steel

SC CONNECTOR

black: ref. 012484
 corten steel: ref. 013190
 mid-grey: ref. 013189

- Compatible with all Sidesol profiles
- Allow for a clearance of at least 2,5 mm / 0.1 inch between adjacent profiles
- Available in three colours

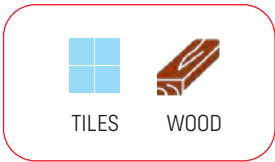
Length: 100 mm
 3.94 inch



DRAINSOL - DRAINAGE AND VENTILATION PROFILES



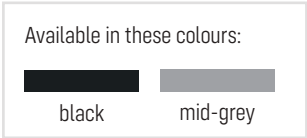
S
I



The drainage and ventilation profiles from SOLIDOR have been specially designed for the installation of a terrace on terrace pedestals, allowing large volumes of water to be efficiently removed from the surface. This prevents water accumulation and damage to adjacent structures.

Advantages:

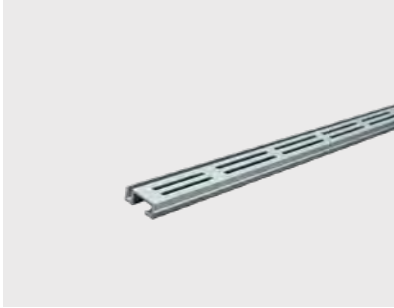
- Easy and quick installation
- Pre-formed holes in the profiles allow for sub-surface ventilation and easy drainage of large volumes of water
- Robust and durable material
- Available in two colours and different widths



Corten steel colour available on request.



PROFILES



DS 56

black: ref. 014093
mid-grey: ref. 014094

• Available in two colours

Height: 20 mm
0.79 inch
Length: 2,40 m
94.49 inch
Thickness: 4 mm
0.16 inch
Width: 56 mm
2.20 inch



DS 156

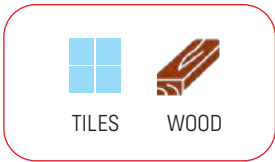
black: ref. 014096
mid-grey: ref. 014095

• Available in two colours

Height: 20 mm
0.79 inch
Length: 2,40 m
94.49 inch
Thickness: 4 mm
0.16 inch
Width: 156 mm
6.14 inch

Available in these colours:





FINISHING
DRAINSOLE

GRAVIERSOL - GRAVEL STABILISATION





GRAVEL ROCK

VARIANTS



Installation video:



GS 30 WHITE

ref. 010341

Dimension: 120 x 80 x 3 cm
4.72 x 3.15 x 0.12 inch

Pieces per pallet: 75 pieces

GS 30 BLACK

ref. 010342

Dimension: 120 x 80 x 3 cm
4.72 x 3.15 x 0.12 inch

Pieces per pallet: 75 pieces

PARKING STOPPER



PARKING STOPPER FOR GRAVIERSOL

ref. 013581

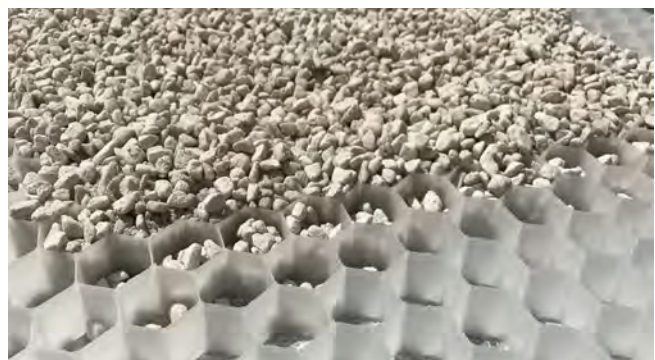
Height: 40 mm (120 x 80 x 3,0 mm)
1.57 inch (4.72 x 3.15 x 0.12 inch)

50 mm (120 x 80 x 4,0)
1.97 inch (4.72 x 3.15 x 0.16 inch)

Dimensions: 41 x 41 mm
1.61 x 1.61 inch

Advantages:

- Easy placement
- Natural look
- 100% recycled material
- Strong coupling system
- No more trace formation or potholes
- Density geotextile 90 gr/m²
- UV-resistant



LIFTSOL - FOUNDATION SYSTEM

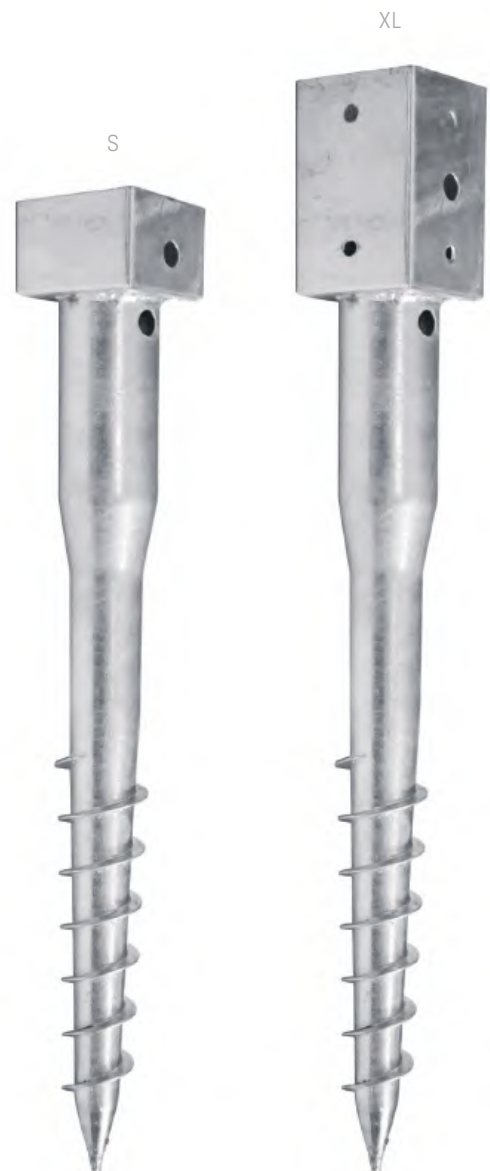


ISI



WOOD

The Liftsol foundation system makes it possible **to install a terrace on soft ground without using concrete**. Using long screws, a stable base is created, which is then combined with our adjustable top plates.



**100 %
WATER-
PERMEABLE**

SUBSTRUCTURE
LIFTSOL



BOX LIFTSOL XL

ref. 009828

Available in box:

- 4x CPV+
- 4x HA5
- 10x F30
- 4x LSR5/8
- 4x Liftsol 65 XL



BOX LIFTSOL S

ref. 009827

Available in box:

- 4x CPV+
- 4x HA5
- 10x F30
- 4x LSR5/8
- 4x Liftsol 65 S



WOOD

PARTS



LSR5/8

ref. 008885

Can be combined with a top plate of your choice, a foundation screw and/or accessories.

Range: 0 - 35 mm
0 - 1.38 inch



SCREW 65 XL

ref. 008881

- Ready to use
- No concrete required
- Environmentally friendly
- Quick assembly
- Is combined with an adjustable foundation pedestal

Dimensions: 90 x 90 x 650 mm
3.54 x 3.54 x 25.59 inch

Height: 150 mm
5.91 inch



SCREW 65 S

ref. 009682

- Ready to use
- No concrete required
- Environmentally friendly
- Quick assembly
- Is combined with an adjustable foundation pedestal

Dimensions: 90 x 90 x 650 mm
3.54 x 3.54 x 25.59 inch

Height: 41 mm
1.61 inch



A3.5/5

ref. 009757

- The foundation screw is inserted into this
- Provides additional support for the screw and extra ruggedness of your terrace
- Protects against weeds



EARTH AUGER CONNECTION

ref. 009337



ROD FOR FOUNDATION SCREW

ref. 008886

QUICK INSTALLATION WITH EXCELLENT LEVELLING

STEP 1

Place root cloth and make a cut at the desired location.

STEP 2

Place the A3.5/5 upside down on the cross.

STEP 3

Insert the Liftsol (here XL, also possible with S) and place the earth auger connection in the drilling machine.

> continued on the next page

Installation video:





WOOD



STEP 4
Drill the screw tight in the cross until only the upper part is visible.

STEP 5
Place the LSR5/8 on the screw.

STEP 6
Install the extension pieces and the HA5 on it.

STEP 7
Finish with the desired top plate.

Also possible with quick-dry concrete

The image shows a grid of white leveling spacers with orange plastic caps, arranged on a light-colored tiled floor. The spacers are used to maintain a consistent height between floor tiles. The logo 'CRIX' is in a bold, black, sans-serif font with a registered trademark symbol, and 'LEVELLING SYSTEM' is in a similar bold, black, sans-serif font below it.

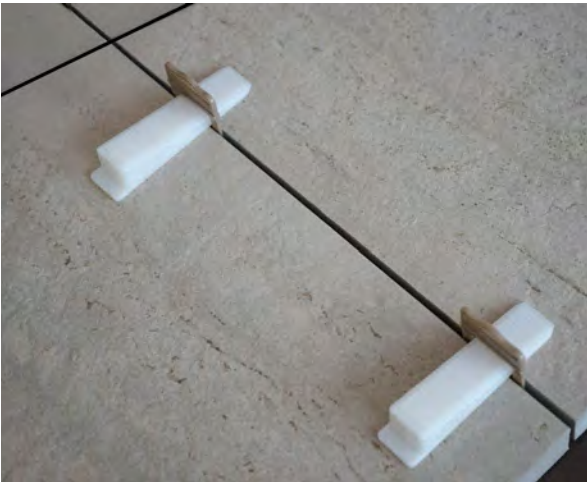
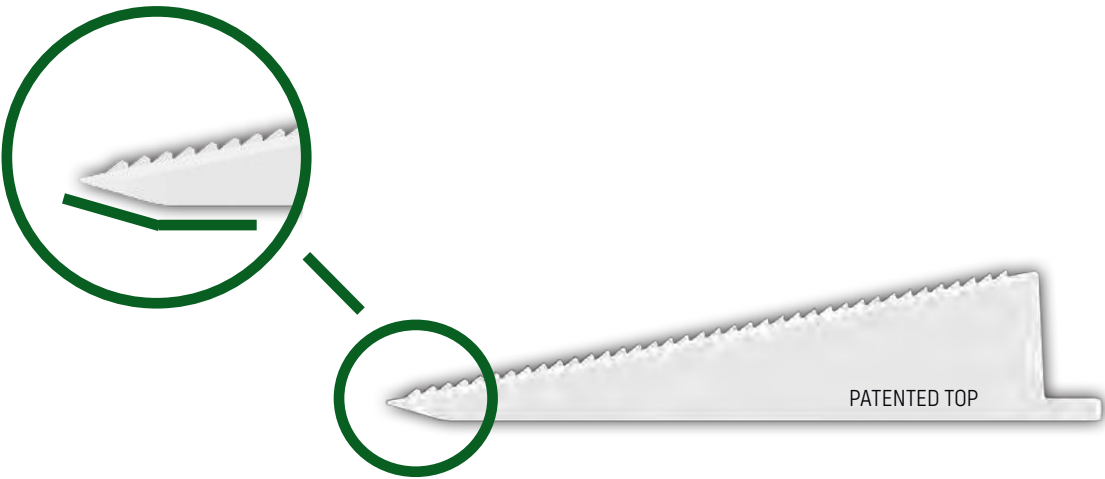
CRIX®
LEVELLING SYSTEM

A large, bold, red letter 'S' logo, positioned in the bottom left corner of the image.

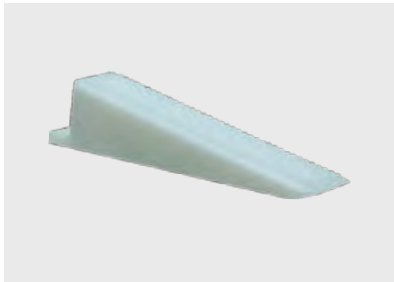
S

FASTER, MORE EFFICIENT INSTALLATION

The patented rounded design prevents interruptions and ensures a faster and more efficient installation. The CRIX range guarantees a perfectly level installation and a sleek finish for tiled floors and walls, and the clips have a perfectly calibrated breaking point.



CRIX WEDGE



WEDGE

ref. 011949

- Made from sturdy durable material
- Inteded for long-term use
- The patented rounded design prevents snagging



The wedges are available in bags of 250 pieces.

CRIX CLIPS: 3 - 13 MM



CLIPS 1 MM 1/32 INCH

250 pcs/sac: ref. 012416
500 pcs/sac: ref. 011752



CLIPS 1,5 MM 1/16 INCH

250 pcs/sac: ref. 012417
500 pcs/sac: ref. 011755



CLIPS 2 MM 1/13 INCH

250 pcs/sac: ref. 012418
500 pcs/sac: ref. 011943



CLIPS 3 MM 1/8 INCH

250 pcs/sac: ref. 012419
500 pcs/sac: ref. 011946

CRIX CLIPS XL: 12 - 22 MM



CLIPS XL 1,5 MM 1/16 INCH

250 pcs/sac. ref. 012935

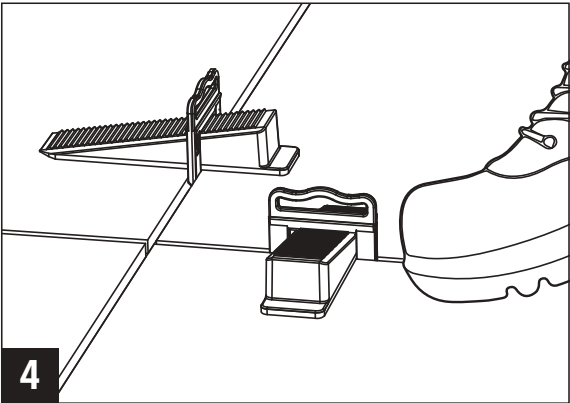
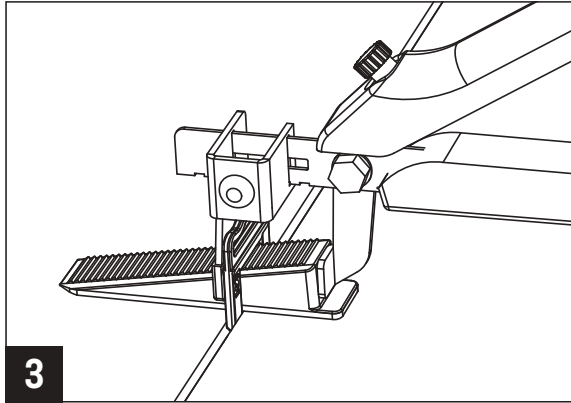
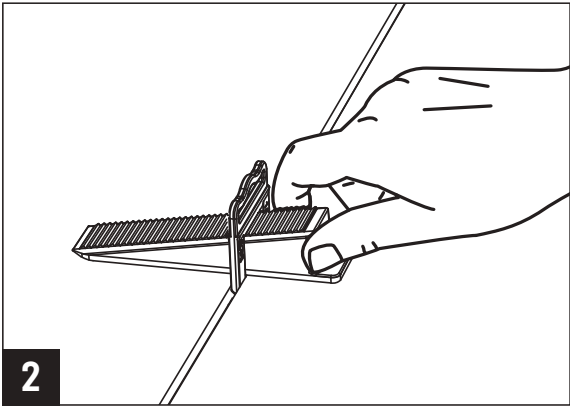
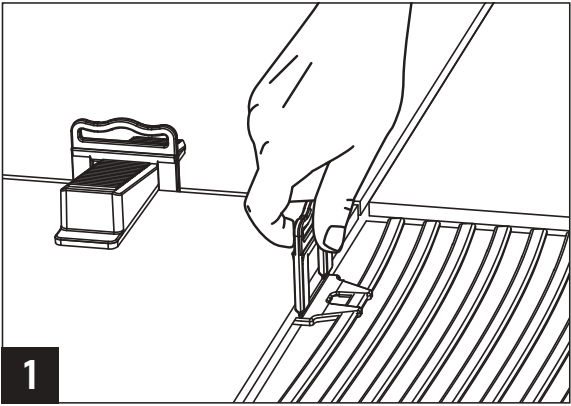
CLIPS XL 3 MM 1/8 INCH

250 pcs/sac. ref. 012202

CLIPS XL 5 MM 3/16 INCH

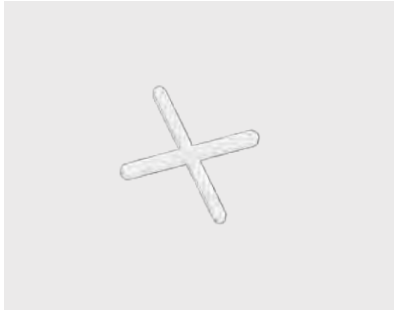
250 pcs/sac. ref. 012353

STEP-BY-STEP GUIDE



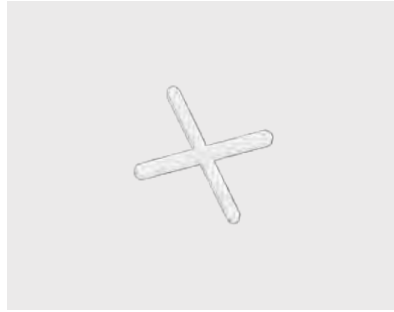
TILE SPACERS

The tile spacers are available in bags of 200 pieces.



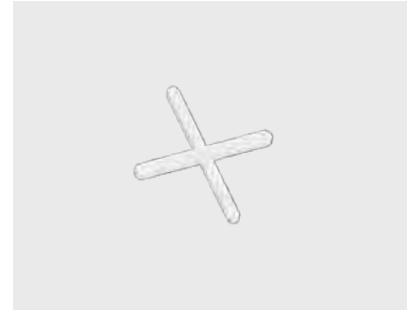
TILE SPACER 1 MM - 1/32 INCH

per box: ref. 013067



TILE SPACER 1,5 MM - 1/16 INCH

per box: ref. 013068



TILE SPACER 2 MM - 1/13 INCH

per box: ref. 013069



TILE SPACER 3 MM - 1/8 INCH

per box: ref. 013070



TILE SPACER 4 MM - 5/32 INCH

per box: ref. 013071



TILE SPACER 5 MM - 13/64 INCH

per box: ref. 013072



CRIX PLIER



ref. 011952

- With the CRIX pliers, you can easily slide the wedge into the clips
- Material: metal


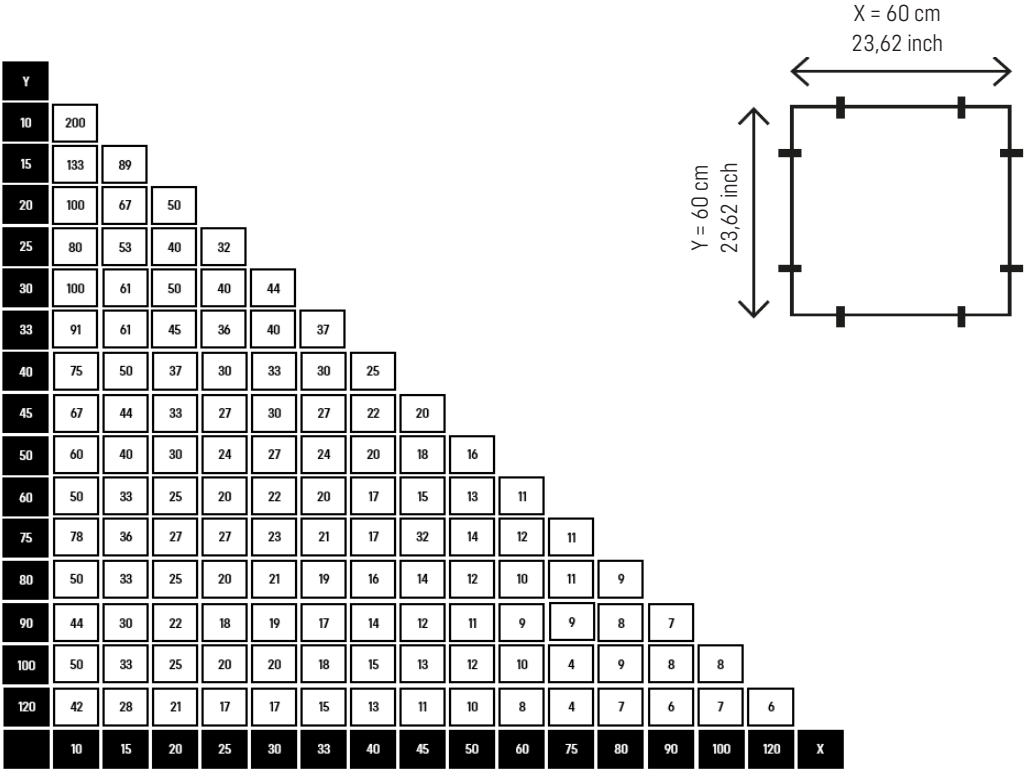
PROTECTIVE PLATE



ref. 011951

- Used to prevent damage to terrace, floor and wall tiles

Calculate how many clips you need here:

Use the diagram to calculate the number of clips per square meter.

linup

**SEAMLESS CLADDING FOR
FACADES AND CEILINGS**

S



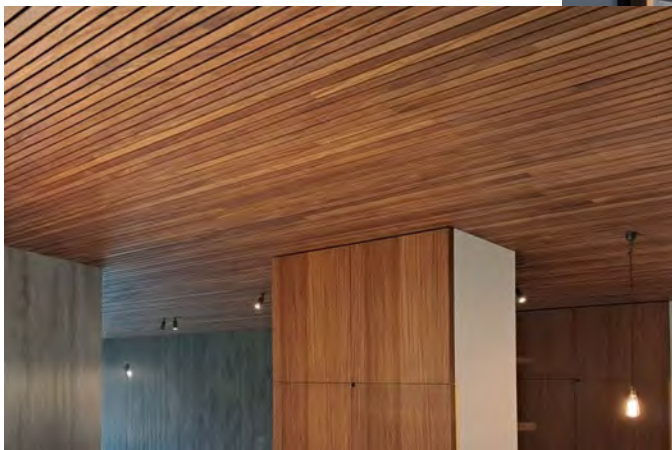
WOOD

EASY CLICK & SLIDE SYSTEM

SOLIDOR Linup for walls, facades and ceilings consists of a **12 mm/ 0.47 inch aluminium profile and matching clips**. With this system, you can fix wooden planks to facades or ceilings in no time. The clips create the perfect joint, and you finish with an end cap that secures the entire construction firmly in place.

- Invisible fixing
- Easy Click & Slide system
- The key to limitless wood designs
- Profiles made from 80% recycled aluminium
- Weather-resistant
- Unlimited possibilities in joint widths

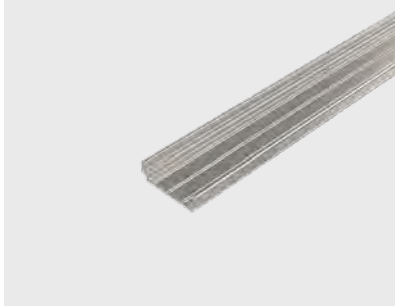
You can find more information about the types of decking or the installation guide on our website.



Installation video:



PROFILE



LINUP 12 MM

aluminium: ref. 011937

black powder-coated aluminium: ref. 100043

- Height of profile chosen according to load structure
- Made of 80% recycled aluminum

Height: 12 mm
0.47 inch

ACCESSORY



UNCLIPPING TOOL

ref. 013741

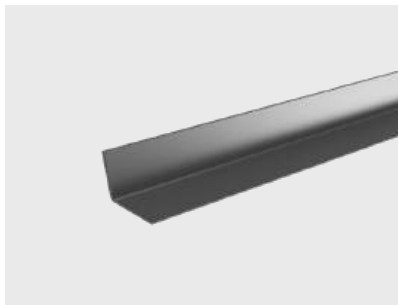
- Linup clip removal tool

Length: 202,30 mm
8 inch



WOOD

FINISHING



LINUP EDGE TRIM PROFILE

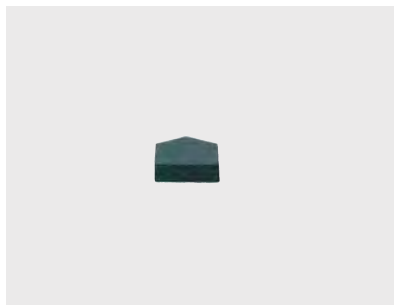
ref. 013150

- Installed beneath wooden planks
- Angled rounding for water drainage (120°)
- Black lacquered aluminum
- Pre-drilled holes for fastening

Length: 2,40 m
94.5 inch

Width: 40 mm
1.57 inch

Thickness: 2 mm
0.08 inch



RUBBER VENTILATION BLOCKS 4MM

ref. 013249

- Insert between plank and alignment profile
- Avoid water accumulation

Joint width: 4 mm
0.16 inch



CLIPS

Wood groove for
this clips:



CLIPS MEDIUM

ref. 011934

- Four angled upstands are each slid into provided groove of the wooden shelf
- The number of clips to be used depends on the type of wood.

Joint width: 6 mm
0.24 inch

CLIPS LARGE

ref. 011935

- Four angled upstands are each slid into provided groove of the wooden shelf
- The number of clips to be used depends on the type of wood.

Joint width: 11 mm
0.43 inch

CLIPS EDGE

ref. 011936

- Is placed at the end and the beginning of the aluminum profile

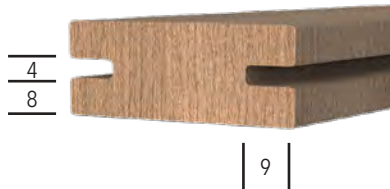




WOOD

CLIPS

Wood groove for this clips:



CLIPS SMALL

ref. 011931

- Four angled upstands are each slid into provided groove of the wooden shelf
- The number of clips to be used depends on the type of wood.

Joint width: 8 mm
0.31 inch

CLIPS MEDIUM

ref. 011934

- Four angled upstands are each slid into provided groove of the wooden shelf
- The number of clips to be used depends on the type of wood.

Joint width: 13 mm
0.51 inch

CLIPS LARGE

ref. 011935

- Four angled upstands are each slid into provided groove of the wooden shelf
- The number of clips to be used depends on the type of wood.

Joint width: 18 mm
0.71 inch



CLIPS EDGE

ref. 011936

- Is placed at the end and the beginning of the aluminum profile



**AVAILABLE
WORLDWIDE**



Head office & factory
Wevelgem, Belgium



ABOUT SOLIDOR – QUALITY AND SUSTAINABILITY SINCE 1978

EPD

ENVIRONMENTAL PRODUCT DECLARATIONS: EPD CERTIFICATE

When it comes to sustainability, we like to demonstrate this through our EPD study. EPD is assessed by the FOD Public Service Health and complies with ISO 14025 + EN 15804+A2.

With pride, we have obtained our certificate confirming our minimal CO² impact, as we strive for fully carbon-neutral production. This allows us to evaluate the environmental impact of our adjustable pedestals throughout their entire lifecycle, including production, packaging, installation, and use.



ECOLOGICAL AND RESPONSIBLE

Our adjustable terrace pedestals are made from recycled plastics to minimise environmental impact. During the production process, no waste is generated, and the used pedestals can be reused or reprocessed in our own production, ensuring a fully circular lifecycle.

For these efforts, we have already received two EcoVadis ratings. These ratings assess how sustainably a company operates. Our goal is to continue improving and become even more sustainable in the future. This QR code provides insight into our current initiatives to contribute to a more sustainable world.





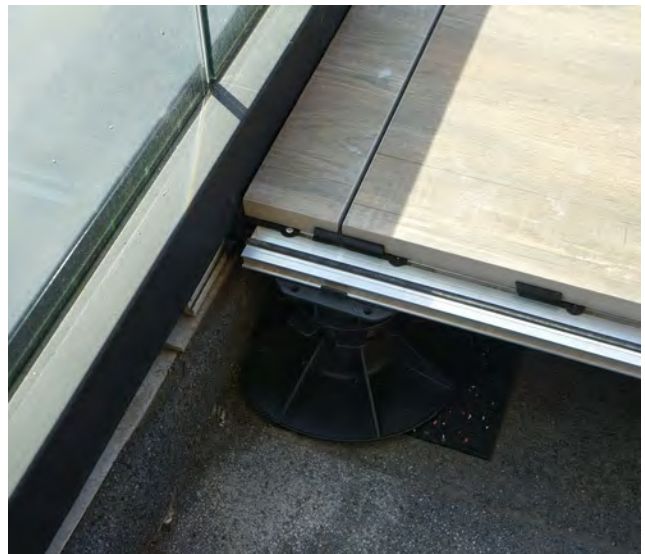
MODULAR AND AESTHETIC

SOLIDOR offers a wide range of possibilities with a high standard of finish for the most complex situations and environments. Because the pedestals are infinitely adjustable in height with extreme precision, any terrace can be laid completely level, regardless of the slope or the type of substrate. The system is easy to install without any construction or demolition work, and it also offers the possibility of connecting the patio seamlessly to the building.



TESTED AND PROVEN SINCE 1978

Our adjustable terrace pedestals are a proven system that has been used since 1978 in various outdoor applications. Our systems are continually tested and are stable, wind-resistant and water-permeable. We manufacture them entirely in-house and test them under the most extreme weather conditions. By using plastic, the adjustable terrace pedestals offer good sound insulation and in addition, they are also available in fire-retardant versions.





1978

Bernard Dejans and his wife Monique start producing adjustable terrace pedestals.

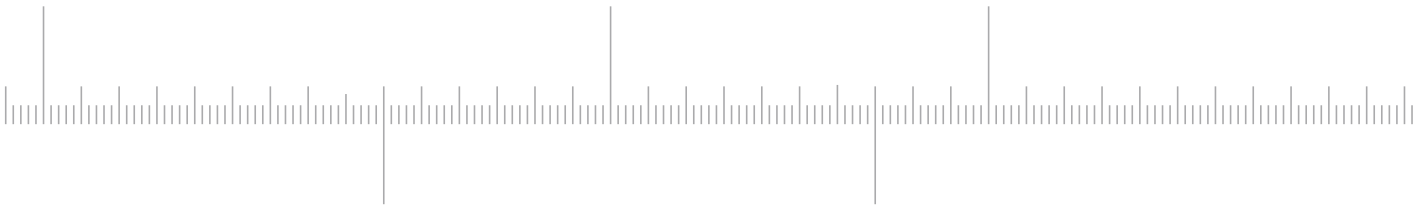


1984

Emmanuel Dejans, son of Bernard and Monique, joins the family business.

2007

Sons Emmanuel and Olivier take over the tasks of Bernard and Monique in the Lauwe branch.



1982

Purchase of the first extrusion line for the production of rubber plastic profiles.

1990

Olivier Dejans, brother of Emmanuel, joins the family business.





2018

Production of flexible and technical plastic profiles moved to new industrial building.

2021

Solidor Rubber and Products is divided into SOLIDOR, RUBIDOR and Dextr.

2026

First luminous/illuminated top plate on the market, called LUMISOL.



2013

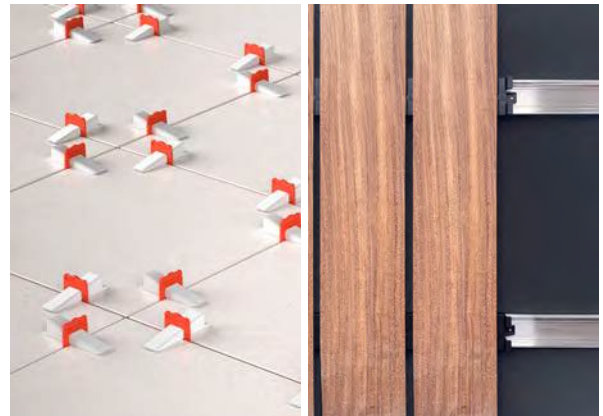
Purchase of office in Wevelgem as an extension to the injection-moulding department.

2017

Henri Dejans, son of Emmanuel, is strengthening the team.

2024

SOLIDOR is expanding its range with **CRIX**, a new in-house-produced levelling system, and **LINUP**, an invisible fastening system for wooden decking on façades, ceilings and terraces.





**IN-HOUSE
PRODUCTION,
FROM A TO Z**







MORE INFO?

Kouterstraat 11 b
8560 Wevelgem
Belgium

T +32 56 41 35 70
info@solidor.be

solidor.be/en

